



SMARTFLEX™

# PRODUCT CATALOG 2024 JANUARY

**HDPE Pipe and Fitting System**  
for the **Transfer of Fuels**



**PRODUCT CATALOG:** 273US06\_SMARTFLEX 2024 USA

**REVISION:** 00\_JANUARY

**ISSUE DATE:** 2024 January 1st

LIS MOD19

**INTRODUCTION**

THE COMPANY .....	2
LEGEND .....	5

**1 SMARTFLEX**

1.1 UL PIPES - PRODUCT RANGE .....	8
1.2 FITTINGS .....	13

**2 SMARTGEN**

2.1 SINGLE WALL SYSTEM .....	31
2.2 DOUBLE WALL SYSTEM .....	36
2.3 ENTRY BOOT.....	37

**3 SMARTCONDUIT**

3.1 PIPES .....	40
3.2 FITTINGS.....	40

**4 SMARTLPG**

4.1 SYSTEM FOR THE CONVEYANCE OF LPG .....	44
--	----

**5 TOOLS**

5.1 HDPE TANK & DISPENSER SUMPS .....	46
5.2 WELDING UNITS & ACCESSORIES .....	51
5.3 TOOLS .....	54

STANDARD TERMS AND CONDITIONS.....	62
------------------------------------	----



# THE COMPANY



Production, Operations & Administration Center - NUPI AMERICAS INC. - Early Branch (SC)

**Nupi Americas has its roots in Italy through NUPI S.p.A. and GECO System S.p.A.** – companies both founded in the **early 1970s** – that merged to become NUPIGECO S.p.A. in 2008. In October 2015, NUPIGECO S.p.A., changed its name to NUPI INDUSTRIE ITALIANE S.p.A.

NUPI INDUSTRIE ITALIANE and Nupi Americas together **develop and manufacture piping systems for use in industrial, sanitary (plumbing), HVAC, waterworks, gas and irrigation markets.** Relying on experience and constant growth, our companies have proven to be cutting edge manufacturers, ready to meet the needs of the market while also protecting the environment.

In 1995, following the completion of an extensive Research and Development program, we introduced a new range of **revolutionary piping systems specifically designed for petroleum, chemical and petrochemical applications.** Since then, two special piping systems made of **High Density Polyethylene (HDPE)** have been marketed worldwide: **SMARTFLEX for the downstream and OILTECH for the upstream.**

**ELOFIT is the High Density Polyethylene system of electrofusion fittings and special components for the conveyance of water and gas under pressure.** It is suitable for the conveyance and distribution of drinking water and alimentary fluids, fuel and inert gases and for water treatment plants, centralized instead irrigation and sewage systems, fire protection systems and pipe relining.

**NIRON is a complete Polypropylene pipe and fitting system for the distribution of hot and cold water in plumbing and air conditioning systems,** for the conveyance of drinking water and alimentary fluids, industrial plants and for the transport of compressed air and chemical substances.

The pipes and fittings that compose the NIRON range are manufactured using **Random Copolymer Polypropylene (PP-RCT), a plastic material with a special molecular structure ensuring high mechanical resistance and duration even at high temperatures and pressures.**





Registered Office and Headquarters - Busto Arsizio (VA)



Production Facility - Castel Guelfo di Bologna (BO)



Production Facility - Imola (BO)



Production Facility - Borsano di Busto Arsizio (VA)

More product ranges marketed by Nupi Americas are **ELOPRESS** - a complete range of PP fittings for the distribution of drinking water and alimentary fluids. **ELAMID** - a complete piping system made of Polyamide 12 that satisfies high performance requirements in gas supply applications and **SMARTCONDUIT** - designed to contain electrical and communication cables in high groundwater or hydrocarbon- rich environments.

Our trademarked systems are real **system solutions**, covering a wide range of applications, reducing costs, avoiding waste and increasing productivity. Thanks to their quality, these products have passed many different tests and have **obtained the most prestigious certificates** and listings, in line with the regulations of the five continents for the construction of water and gas networks and systems for the transport of fuels.

Producing better quality and being cost effective is the goal, which is made easier everyday by new technology.

Our companies are **continuously investing in research and development programs**, while strengthening our production systems operated by a sophisticated technology that guarantees the highest quality of products. Our facilities use modern state-of-the-art computer controlled production equipment and methods that **guarantee products of the highest quality together with continuous quality control systems**.

On these solid foundations NUPI INDUSTRIE ITALIANE and Nupi Americas demonstrate leadership throughout the thermoplastic piping industry.

Our customers can rely on the best quality materials and precise manufacture instead, obtained through completely automated production systems and continuous on-time deliveries, resulting in timely deliveries which allow planning to be done in real time.

**Customer satisfaction is pursued through high quality products and the constant attention to our customers' needs and requirements** and by means of an effective team of people in post-sales service effective and precise technical assistance and intensive training of installers.

**Niron Clima All-Pro™** ia a preinsulated system that is based on our advanced Niron PP-RCT piping systems. It is the newest addition to the growing range of products from Nupi Americas and Nupi Industrie Italiane.



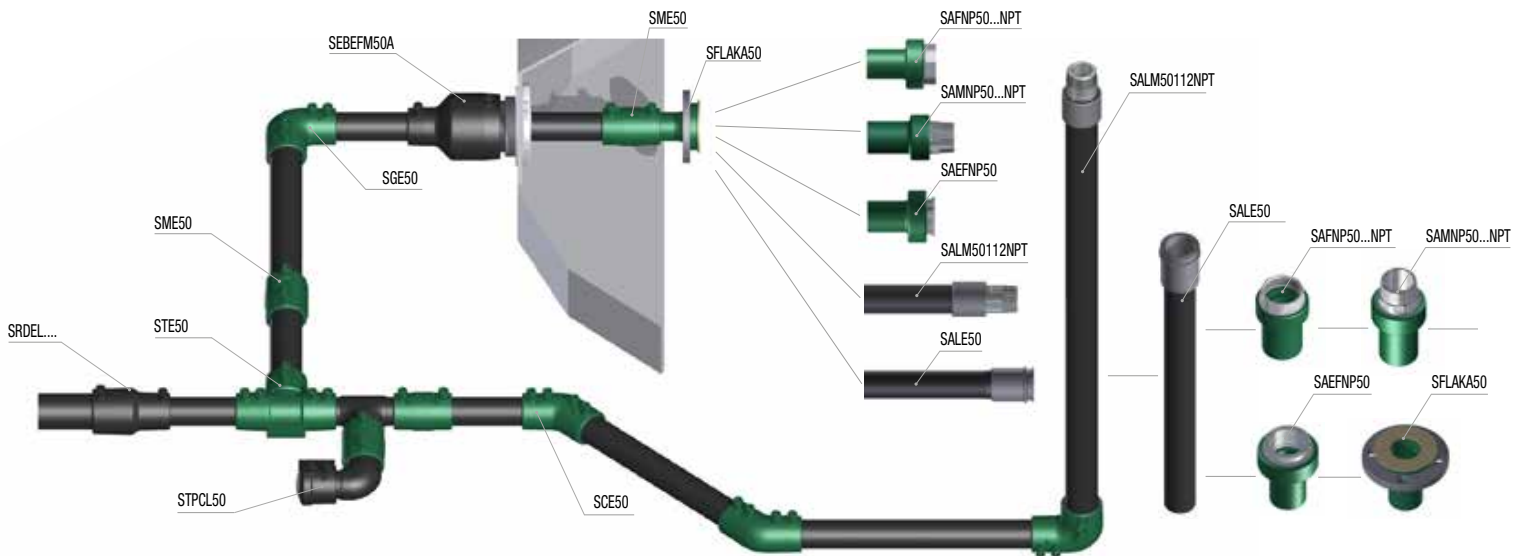


**LEGEND:**

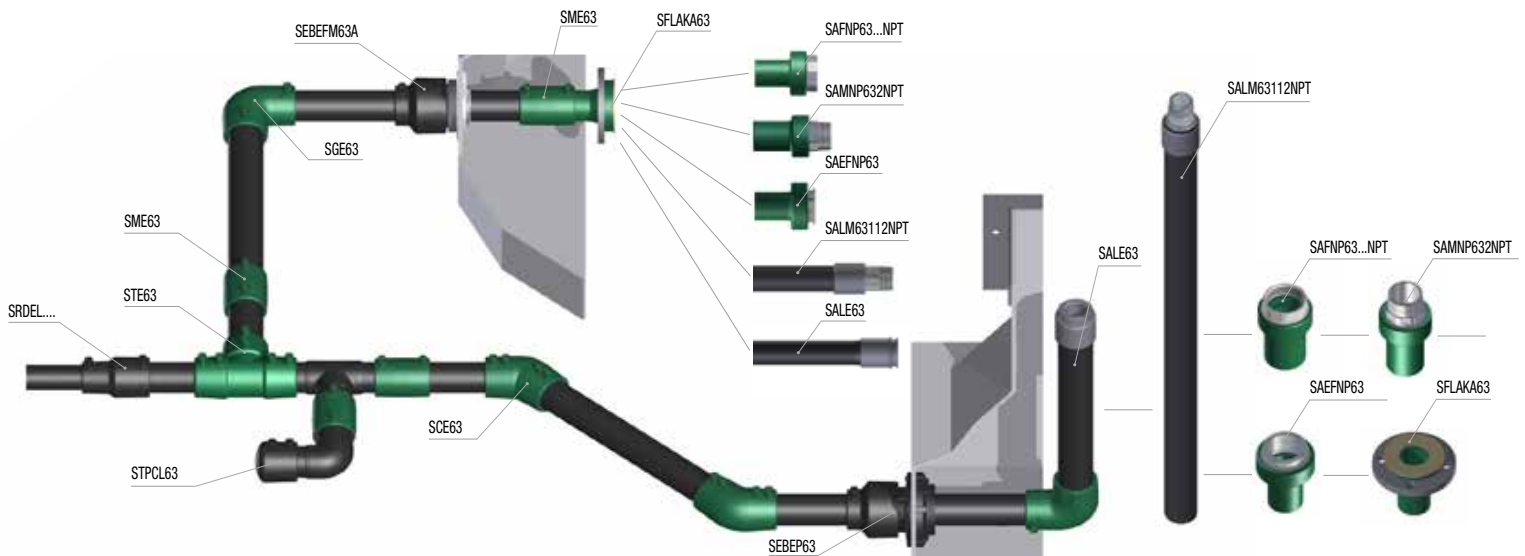
<b>ITEM DISCOUNT GROUP:</b>	SMART-P	PIPES
	SMART-F	FITTINGS
	SMART-S	SUMPS
	SMART-T	TOOLS



## 1" 1/2 PRIMARY PIPE SYSTEM

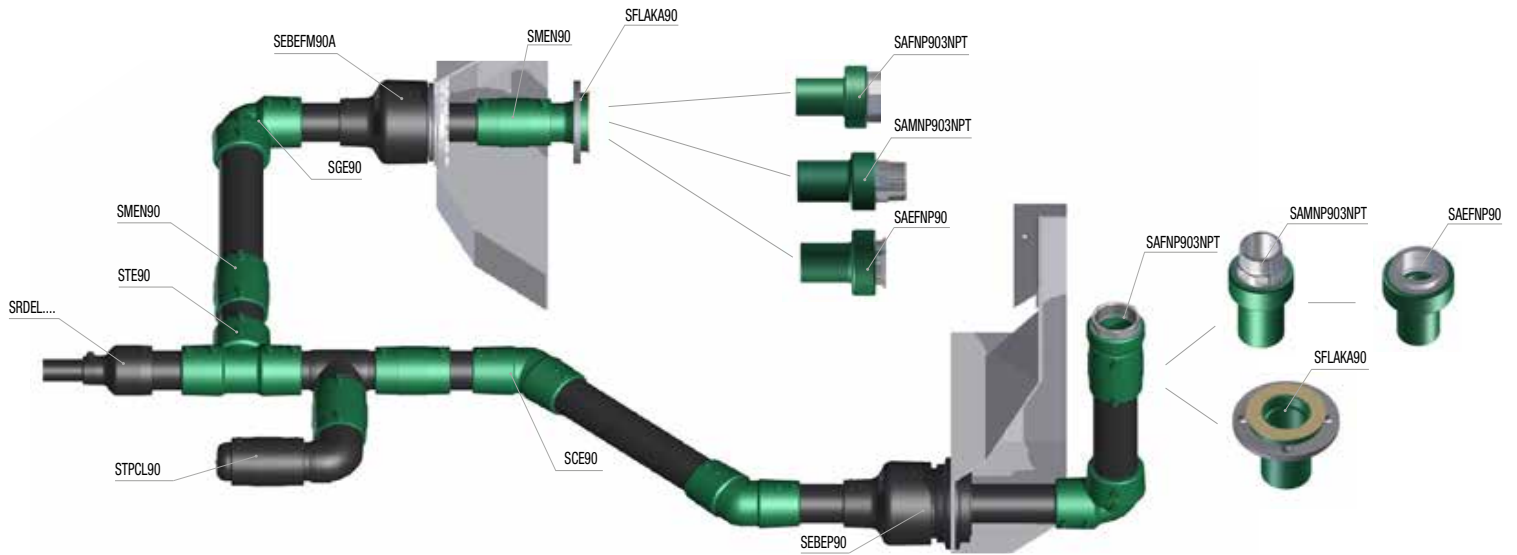


## 2" PRIMARY PIPE SYSTEM

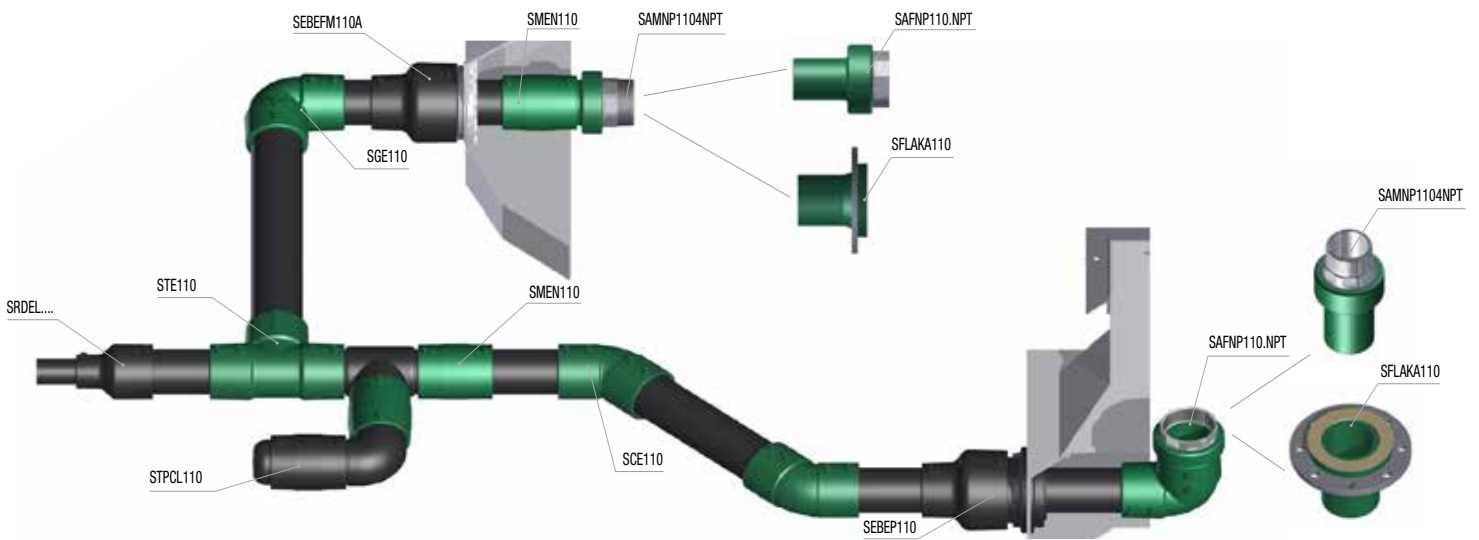




## 3" PRIMARY PIPE SYSTEM



## 4" PRIMARY PIPE SYSTEM



## SINGLE WALL UL 971 LISTED PRODUCT PIPE - COILS, STRAIGHT LENGTHS/STICKS

Material: HDPE

Range: 2" ÷ 4"



CODE	Ø (in)	Package (ft)	Notes
19TSMAXP63B6	2"	19	Straight lengths (sticks)
19TSMAXP63B12	2"	39	Straight lengths (sticks)
19TSMAXP63R50	2"	164	Coils
19TSMAXP63R75	2"	246	Coils
19TSMAXP90B6	3"	19	Straight lengths (sticks)
19TSMAXP90B12	3"	39	Straight lengths (sticks)
19TSMAXP110B6	4"	19	Straight lengths (sticks)
19TSMAXP110B12	4"	39	Straight lengths (sticks)

ITEM DISCOUNT GROUP: SMART-P

## SINGLE WALL UL 971 LISTED VAPOR/VENT PIPE - STRAIGHT LENGTHS/STICKS

Material: HDPE

Range: 2" ÷ 4"



CODE	Ø (in)	Package (ft)	Notes
19TSMAXP63B5	2"	17	Straight lengths (sticks)
19TSMAXP63B6	2"	19	Straight lengths (sticks)
19TSMAXP90B5	3"	17	Straight lengths (sticks)
19TSMAXP90B6	3"	19	Straight lengths (sticks)
19TSMAXP110B6	4"	19	Straight lengths (sticks)

ITEM DISCOUNT GROUP: SMART-P

DIFFERENT LENGTHS AVAILABLE UPON REQUEST

## DOUBLE WALL UL 971 LISTED PRODUCT PIPE - COILS, STRAIGHT LENGTHS/STICKS

Material: HDPE

Range: 1 ½"-2" ÷ 4"-5"



CODE	Ø Primary (in)	Ø Secondary (in)	Package (ft)	Notes
19TSMAXPD50B6	1 ½"	2"	19	Straight lengths (sticks)
19TSMAXPD50B9	1 ½"	2"	30	Straight lengths (sticks)
19TSMAXPD50B10	1 ½"	2"	35	Straight lengths (sticks)
19TSMAXPD50B12	1 ½"	2"	39	Straight lengths (sticks)
19TSMAXPD50R12	1 ½"	2"	39	Coils
19TSMAXPD50R50	1 ½"	2"	164	Coils
19TSMAXPD50R75	1 ½"	2"	246	Coils
19TSMAXPD63B6	2"	2 ½"	19	Straight lengths (sticks)
19TSMAXPD63B9	2"	2 ½"	30	Straight lengths (sticks)
19TSMAXPD63B10	2"	2 ½"	35	Straight lengths (sticks)
19TSMAXPD63B12	2"	2 ½"	39	Straight lengths (sticks)
19TSMAXPD63R12	2"	2 ½"	39	Coils
19TSMAXPD63R50	2"	2 ½"	164	Coils
19TSMAXPD63R75	2"	2 ½"	246	Coils
19TSMAXPD90B6	3"	5"	19	Straight lengths (sticks)
19TSMAXPD90B12	3"	5"	39	Straight lengths (sticks)
19TSMAXPD110B6	4"	5"	19	Straight lengths (sticks)
19TSMAXPD110B6	4"	5"	39	Straight lengths (sticks)
ITEM DISCOUNT GROUP: SMART-P				



## DOUBLE WALL UL 971 LISTED VAPOR/VENT PIPE - STRAIGHT LENGTHS/STICKS

Material: HDPE

Range: 2"-2½" ÷ 3"-5"



CODE	Ø Primary (in)	Ø Secondary (in)	Package (ft)	Notes
19TSMAUXPD63B5	2"	2 ½"	17	Straight lengths (sticks)
19TSMAUXPD63B6	2"	2 ½"	19	Straight lengths (sticks)
19TSMAUXPD90B5	3"	5"	17	Straight lengths (sticks)
19TSMAUXPD90B6	3"	5"	19	Straight lengths (sticks)
19TSMAUXPD90B10	3"	5"	35	Straight lengths (sticks)

ITEM DISCOUNT GROUP: SMART-P

DIFFERENT LENGTHS AVAILABLE UPON REQUEST

## FLAME RETARDANT PIPE - COILS, STRAIGHT LENGTHS/STICKS

Material: HDPE

Range: 1 ½"-2" ÷ 3"-5"



CODE	Ø Primary (in)	Ø Secondary (in)	Package (ft)	Notes
19TSMAXFRPD50B12	1 ½"	2"	39	Straight lengths (sticks)
19TSMAXFRPD50R50	1 ½"	2"	164	Coils
19TSMAXFRPD50R75	1 ½"	2"	246	Coils
19TSMAXFRPD63B6	2"	2 ½"	19	Straight lengths (sticks)
19TSMAXFRPD63B12	2"	2 ½"	39	Straight lengths (sticks)
19TSMAXFRPD63R50	2"	2 ½"	164	Coils
19TSMAXFRPD63R75	2"	2 ½"	246	Coils
19TSMAXFRPD90B12	3"	5"	39	Straight lengths (sticks)

ITEM DISCOUNT GROUP: SMART-P

## SINGLE WALL IP LISTED PRODUCT PIPE - COILS, STRAIGHT LENGTHS/STICKS

Material: HDPE  
Range: 1 ½" ÷ 4"



CODE	Ø (in)	Package (ft)	Notes
19TSMA50R75	1 ½"	246	Coils
19TSMA63B6	2"	19	Straight lengths (sticks)
19TSMA63R75	2"	246	Coils
19TSMA90B6	3"	19	Straight lengths (sticks)
19TSMA110B6	4"	19	Straight lengths (sticks)

ITEM DISCOUNT GROUP: SMART-P

DIFFERENT LENGTHS AVAILABLE UPON REQUEST

## DOUBLE WALL IP LISTED PRODUCT PIPE - STRAIGHT LENGTHS/STICKS

Material: HDPE  
Range: 1 ½"-2" ÷ 4"-5"



CODE	Ø Primary (in)	Ø Secondary (in)	Package (ft)	Notes
19TSMAD50R75	1 ½"	2"	246	Coils
19TSMAD63R75	2"	2 ½"	246	Coils
19TSMAD90B6	3"	5"	19	Straight lengths (sticks)
19TSMAD110B6	4"	5"	19	Straight lengths (sticks)

ITEM DISCOUNT GROUP: SMART-P

DIFFERENT LENGTHS AVAILABLE UPON REQUEST

## SINGLE WALL IP LISTED VAPOR/VENT/FILL PIPE - COILS, STRAIGHT LENGTHS/STICKS

Material: HDPE

Range: 2" ÷ 4"



CODE	Ø (in)	Package (ft)	Notes
<b>19TMAU63B6</b>	2"	19	Straight lengths (sticks)
<b>19TMAU63R50</b>	2"	164	Coils
<b>19TMAU90B6</b>	3"	19	Straight lengths (sticks)
<b>19TMAU110B6</b>	4"	19	Straight lengths (sticks)
ITEM DISCOUNT GROUP: SMART-P			

DIFFERENT LENGTHS AVAILABLE UPON REQUEST



## COUPLING - ELECTROFUSION - SINGLE WALL

Material: HDPE  
Range: 1 1/2" ÷ 5"



CODE	Type	Ø (in)	Package (pieces)	Notes
19SME50	A	1 1/2"	1	
19SME63	A	2"	1	
19SMEN90	B	3"	1	
19SMEN110	B	4"	1	
19SMES125	C	5"	1	

ITEM DISCOUNT GROUP: SMART-F

## ELBOW 45° - ELECTROFUSION - SINGLE WALL

Material: HDPE  
Range: 1 1/2" ÷ 4"



CODE	Ø (in)	Package (pieces)	Notes
19SCE50	1 1/2"	1	
19SCE63	2"	1	
19SCE90	3"	1	
19SCE110	4"	1	

ITEM DISCOUNT GROUP: SMART-F

## ELBOW 90° - ELECTROFUSION - SINGLE WALL

Material: HDPE  
Range: 1 1/2" ÷ 4"



CODE	Ø (in)	Package (pieces)	Notes
19SGE50	1 1/2"	1	
19SGE63	2"	1	
19SGE90	3"	1	
19SGE110	4"	1	

ITEM DISCOUNT GROUP: SMART-F

## TEE - ELECTROFUSION - SINGLE WALL

Material: HDPE

Range: 1 ½" ÷ 4"



CODE	Ø (in)	Package (pieces)	Notes
19STE50	1 ½"	1	
19STE63	2"	1	
19STE90	3"	1	
19STE110	4"	1	
ITEM DISCOUNT GROUP: SMART-F			

## CONCENTRIC REDUCER - ELECTROFUSION - SINGLE WALL

Material: HDPE

Range: 2" - 1 ½" ÷ 4" - 3"



CODE	Ø (in)	Package (pieces)	Notes
19SRDEL6350	2" - 1 ½"	1	
19SRDEL7563	2 ½" - 2"	1	
19SRDEL9050	3" - 1 ½"	1	
19SRDEL9063	3" - 2"	1	
19SRDEL11063	4" - 2"	1	
19SRDEL11090	4" - 3"	1	
ITEM DISCOUNT GROUP: SMART-F			

## END CAP - LONG SPIGOT - SINGLE WALL

Material: HDPE

Range: 1 ½" ÷ 4"



CODE	Ø (in)	Package (pieces)	Notes
19STPCL50	1 ½"	1	
19STPCL63	2"	1	
19STPCL75	2 ½"	1	
19STPCL90	3"	1	
19STPCL110	4"	1	
ITEM DISCOUNT GROUP: SMART-F			

## CONCENTRIC REDUCER - SPIGOT X SPIGOT - SINGLE WALL

Material: HDPE

Range: 2" - 1 1/2" ÷ 4" - 3"



CODE	Ø (in)	Package (pieces)	Notes
19SR6350	2" - 1 1/2"	1	
19SR9050	3" - 1 1/2"	1	
19SR9063	3" - 2"	1	
19SR11063	4" - 2"	1	
19SR11090	4" - 3"	1	
ITEM DISCOUNT GROUP: SMART-F			

## LOOSE FLANGE KIT - SINGLE WALL

Material: HDPE

Range: 1 1/2" ÷ 4"



CODE	Ø (in)	Package (pieces)	Notes
19SFLAKA50	1 1/2"	1	Stub end, flange and gasket
19SFLAKA63	2"	1	Stub end, flange and gasket
19SFLAKA90	3"	1	Stub end, flange and gasket
19SFLAKA110	4"	1	Stub end, flange and gasket
ITEM DISCOUNT GROUP: SMART-F			

## EZ-FIT ADAPTER NICKEL PLATED - SINGLE WALL

Material: HDPE

Range: 1 1/2" ÷ 3"



CODE	Ø (in)	Package (pieces)	Notes
19SAEFNP50	1 1/2"	1	
19SAEFNP63	2"	1	
19SAEFNP90	3"	1	
ITEM DISCOUNT GROUP: SMART-F			



## FEMALE ADAPTER NICKEL PLATED - SINGLE WALL

Material: HDPE

Range: 1 1/2" - 1 1/2" ÷ 4" - 4"



CODE	Ø (in)	Package (pieces)	Notes
19SAFNP50112NPT	1 1/2" - 1 1/2"	1	NPT Thread
19SAFNP502NPT	1 1/2" - 2"	1	NPT Thread
19SAFNP63112NPT	2" - 1 1/2"	1	NPT Thread
19SAFNP632NPT	2" - 2"	1	NPT Thread
19SAFNP903NPT	3" - 3"	1	NPT Thread
19SAFNP1104NPT	4" - 4"	1	NPT Thread

ITEM DISCOUNT GROUP: SMART-F

## MALE ADAPTER NICKEL PLATED - SINGLE WALL

Material: HDPE

Range: 1 1/2" - 1 1/2" ÷ 4" - 4"



CODE	Ø (in)	Package (pieces)	Notes
19SAMNP50112NPT	1 1/2" - 1 1/2"	1	NPT Thread
19SAMNP502NPT	1 1/2" - 2"	1	NPT Thread
19SAMNP632NPT	2" - 2"	1	NPT Thread
19SAMNP903NPT	3" - 3"	1	NPT Thread
19SAMNP1104NPT	4" - 4"	1	NPT Thread

ITEM DISCOUNT GROUP: SMART-F

## RISER MALE - SINGLE WALL

Material: HDPE

Range: 1 1/2" - 1 1/2" ÷ 2" - 2"



CODE	Ø (in)	Package (pieces)	Notes
19SALM50112NPT	1 1/2" - 1 1/2"	1	
19SALM63112NPT	2" - 1 1/2"	1	
19SALM632NPT	2" - 2"	1	

ITEM DISCOUNT GROUP: SMART-F

## EZ-FIT LONG ADAPTER - SINGLE WALL

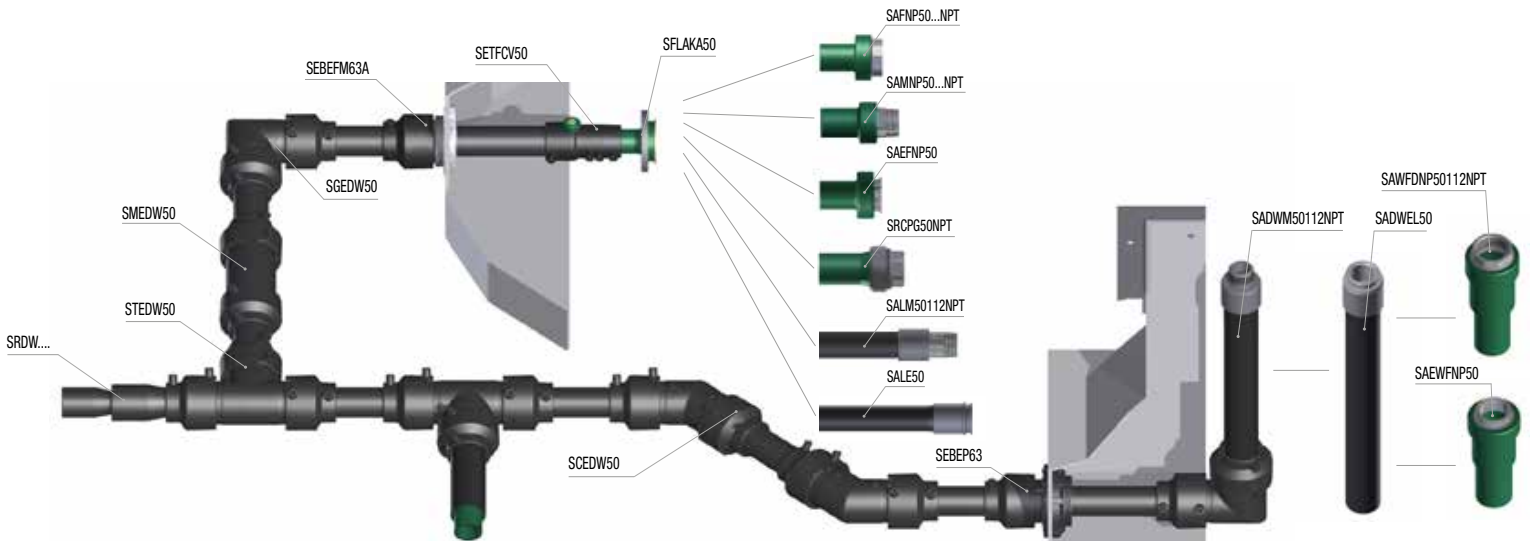
Material: HDPE

Range: 1 ½" ÷ 2"

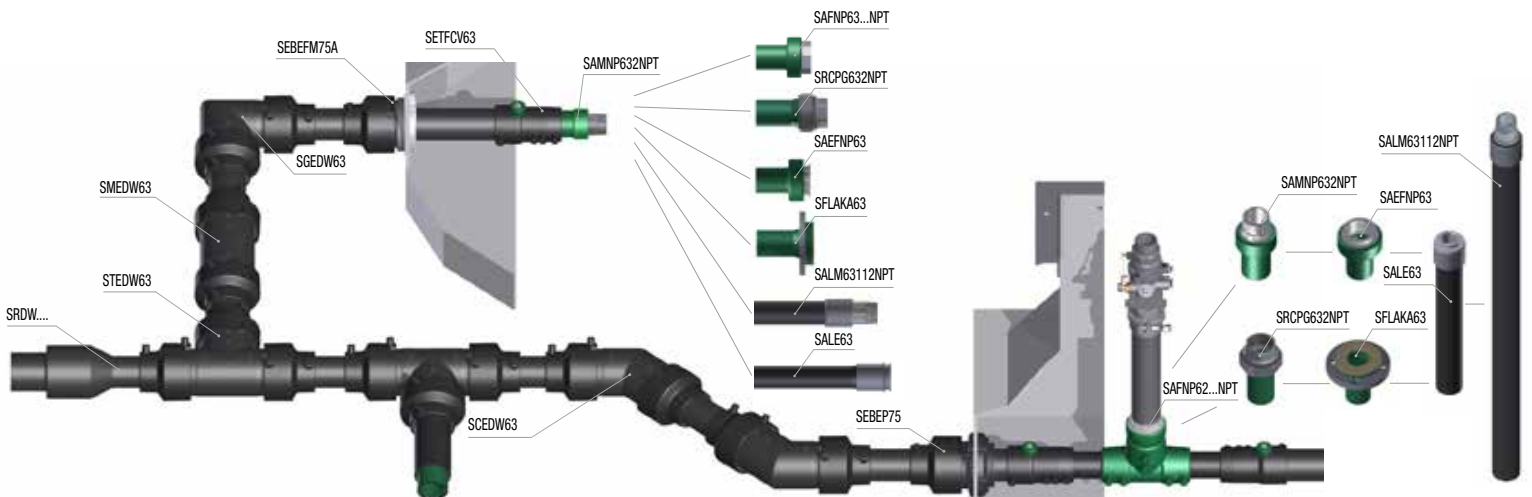


CODE	Ø (in)	Package (pieces)	Notes
19SALE50	1 ½"	1	
19SALE63	2"	1	
ITEM DISCOUNT GROUP: SMART-F			

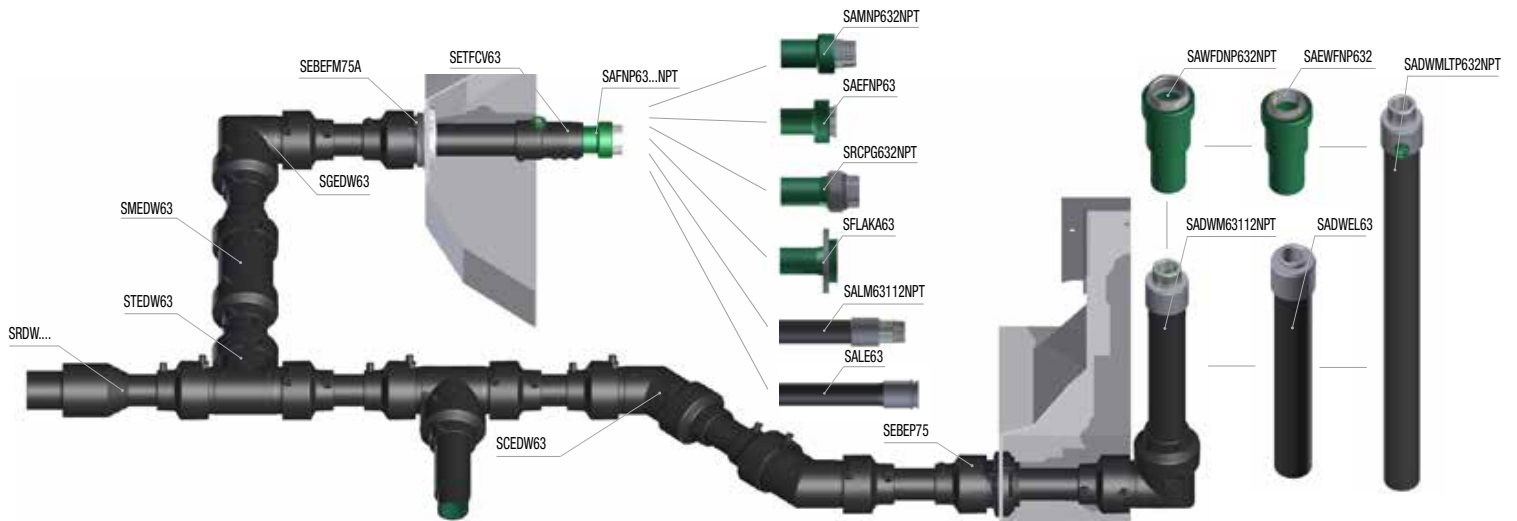
## 1" 1/2 SECONDARY CONTAINED PIPE



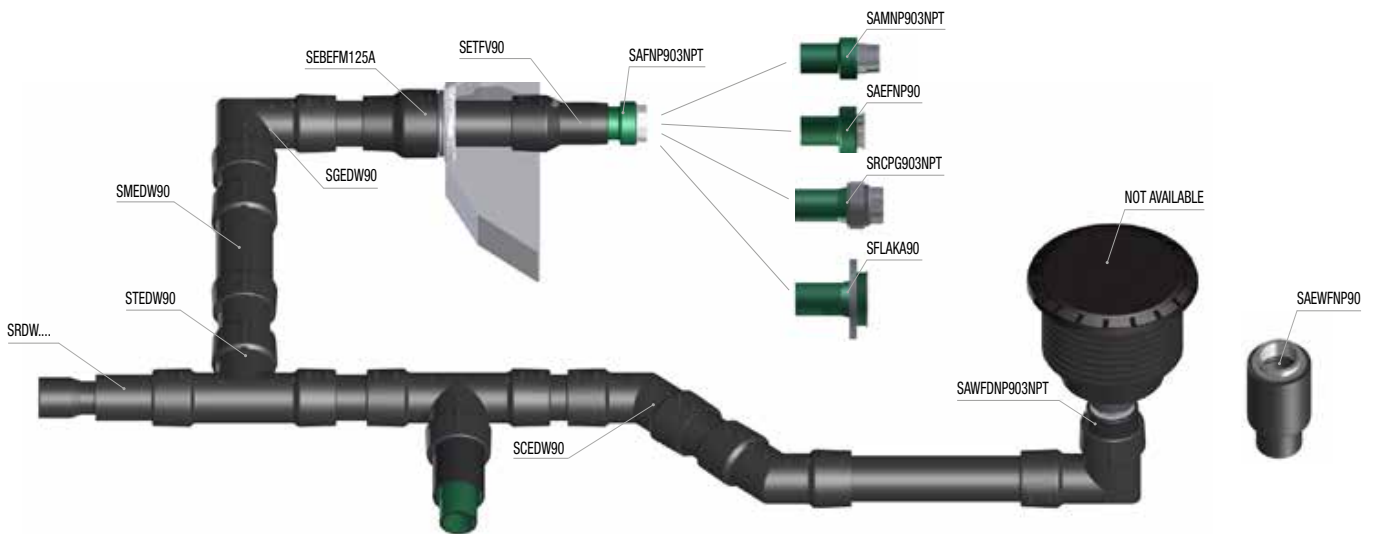
## 2" SECONDARY CONTAINED PIPE IN SW



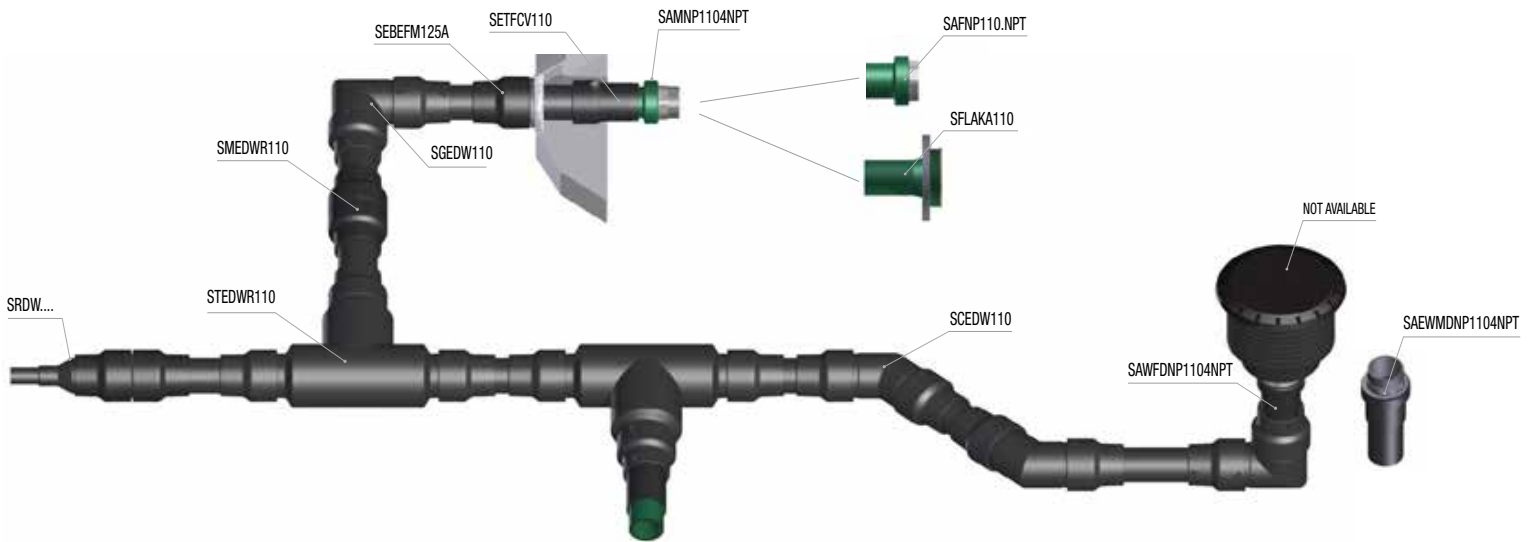
## 2" SECONDARY CONTAINED PIPE IN DW



## 3" SECONDARY CONTAINED PIPE



## 4" SECONDARY CONTAINED PIPE





## COAXIAL COUPLING - ELECTROFUSION - DOUBLE WALL

Material: HDPE

Range: 1 ½" - 2" ÷ 4" - 5"



CODE	Ø Primary (in)	Ø Secondary (in)	Package (pieces)	Notes
19SMEDW50	1 ½"	2"	1	Reducer used 19SRDWE9063
19SMEDW63	2"	2 ½"	1	Reducer used 19SRDWE11075
19SMEDW90	3"	5"	1	
19SMEDW110	4"	5"	1	Reducer used 19SRDWE160125
ITEM DISCOUNT GROUP: SMART-F				

## COAXIAL COUPLING WITH TEST PORT - ELECTROFUSION - DOUBLE WALL

Material: HDPE

Range: 1 ½" - 2" ÷ 4" - 5"



CODE	Ø Primary (in)	Ø Secondary (in)	Package (pieces)	Notes
19SMEDWTP50	1 ½"	2"	1	Reducer used 19SRDWE9063 and 19SRDWE9063TP
19SMEDWTP63	2"	2 ½"	1	Reducer used 19SRDWE11075 and 19SRDWE11075TP
19SMEDWTP90	3"	5"	1	
19SMEDWTP110	4"	5"	1	Reducer used 19SRDWE160125 and 19SRDWE160125TP
ITEM DISCOUNT GROUP: SMART-F				

## COAXIAL 90° ELBOW - ELECTROFUSION - DOUBLE WALL

Material: HDPE

Range: 1 ½" - 2" ÷ 4" - 5"



CODE	Ø Primary (in)	Ø Secondary (in)	Package (pieces)	Notes
19SGEDW50	1 ½"	2"	1	Reducer used 19SRDWE9063
19SGEDW63	2"	2 ½"	1	Reducer used 19SRDWE11075
19SGEDW90	3"	5"	1	
19SGEDW110	4"	5"	1	Reducer used 19SRDWE160125
ITEM DISCOUNT GROUP: SMART-F				

## COAXIAL 90° ELBOW WITH TEST PORT - ELECTROFUSION - DOUBLE WALL

Material: HDPE

Range: 1 ½" - 2" ÷ 4" - 5"



CODE	Ø Primary (in)	Ø Secondary (in)	Package (pieces)	Notes
19SGEDWTP50	1 ½"	2"	1	Reducer used 19SRDWE9063 and 19SRDWE9063TP
19SGEDWTP63	2"	2 ½"	1	Reducer used 19SRDWE11075 and 19SRDWE11075TP
19SGEDWTP90	3"	5"	1	
19SGEDWTP110	4"	5"	1	Reducer used 19SRDWE160125 and 19SRDWE160125TP

ITEM DISCOUNT GROUP: SMART-F

## COAXIAL 45° ELBOW - ELECTROFUSION - DOUBLE WALL

Material: HDPE

Range: 1 ½" - 2" ÷ 4" - 5"



CODE	Ø Primary (in)	Ø Secondary (in)	Package (pieces)	Notes
19SCEDW50	1 ½"	2"	1	Reducer used 19SRDWE9063
19SCEDW63	2"	2 ½"	1	Reducer used 19SRDWE11075
19SCEDW90	3"	5"	1	
19SCEDW110	4"	5"	1	Reducer used 19SRDWE160125

ITEM DISCOUNT GROUP: SMART-F

## COAXIAL 45° ELBOW WITH TEST PORT - ELECTROFUSION - DOUBLE WALL

Material: HDPE

Range: 1 ½" - 2" ÷ 4" - 5"



CODE	Ø Primary (in)	Ø Secondary (in)	Package (pieces)	Notes
19SCEDWTP50	1 ½"	2"	1	Reducer used 19SRDWE9063 and 19SRDWE9063TP
19SCEDWTP63	2"	2 ½"	1	Reducer used 19SRDWE11075 and 19SRDWE11075TP
19SCEDWTP90	3"	5"	1	
19SCEDWTP110	4"	5"	1	Reducer used 19SRDWE160125 and 19SRDWE160125TP

ITEM DISCOUNT GROUP: SMART-F

## COAXIAL EQUAL TEE - ELECTROFUSION - DOUBLE WALL

Material: HDPE

Range: 1 1/2" - 2" ÷ 4" - 5"



CODE	Ø Primary (in)	Ø Secondary (in)	Package (pieces)	Notes
19STEDW50	1 1/2"	2"	1	Reducer used 19SRDWE9063
19STEDW63	2"	2 1/2"	1	Reducer used 19SRDWE11075
19STEDW90	3"	5"	1	
19STEDW110	4"	5"	1	Reducer used 19SRDWE160125
ITEM DISCOUNT GROUP: SMART-F				

## COAXIAL EQUAL TEE WITH TEST PORT - ELECTROFUSION - DOUBLE WALL

Material: HDPE

Range: 1 1/2" - 2" ÷ 4" - 5"



CODE	Ø Primary (in)	Ø Secondary (in)	Package (pieces)	Notes
19STEDWTP50	1 1/2"	2"	1	Reducer used 19SRDWE9063 and 19SRDWE9063TP
19STEDWTP63	2"	2 1/2"	1	Reducer used 19SRDWE11075 and 19SRDWE11075TP
19STEDWTP90	3"	5"	1	
19STEDWTP110	4"	5"	1	Reducer used 19SRDWE160125 and 19SRDWE160125TP
ITEM DISCOUNT GROUP: SMART-F				

## TERMINATION FITTING - ELECTROFUSION - DOUBLE WALL

Material: HDPE

Range: 1 1/2" - 2" ÷ 4" - 5"



CODE	Ø Primary (in)	Ø Secondary (in)	Package (pieces)	Notes
19SETFC50	1 1/2"	2"	1	
19SETFC63	2"	2 1/2"	1	
19SETF90	3"	5"	1	
19SETFC110	4"	5"	1	
ITEM DISCOUNT GROUP: SMART-F				

## TERMINATION FITTING WITH TEST PORT - ELECTROFUSION - DOUBLE WALL

Material: HDPE

Range: 1 ½" - 2" ÷ 4" - 5"



CODE	Ø Primary (in)	Ø Secondary (in)	Package (pieces)	Notes
19SETFCV50	1 ½"	2"	1	
19SETFCV63	2"	2 ½"	1	
19SETFV90	3"	5"	1	
19SETFCV110	4"	5"	1	
ITEM DISCOUNT GROUP: SMART-F				

## TERMINATION FITTING - ELECTROFUSION - DOUBLE WALL

Material: HDPE

Range: 3" - 2" ÷ 6" - 5"



CODE	Ø Primary (in)	Ø Secondary (in)	Package (pieces)	Notes
19SRDWE9063	3"	2"	1	
19SRDWE11075	4"	2 ½"	1	
19SRDWE160125	6"	5"	1	
ITEM DISCOUNT GROUP: SMART-F				

## TERMINATION FITTING WITH TEST PORT - ELECTROFUSION - DOUBLE WALL

Material: HDPE

Range: 3" - 2" ÷ 4" - 2 ½"



CODE	Ø Primary (in)	Ø Secondary (in)	Package (pieces)	Notes
19SRDWE9063TP	3"	2"	1	
19SRDWE11075TP	4"	2 ½"	1	
ITEM DISCOUNT GROUP: SMART-F				

## SPARE PARTS - PENETRATION FITTING AND ENTRY BOOT - ELECTROFUSION DOUBLE WALL

Material: HDPE

Range: 3" - 6" ÷ 4" - 6"



CODE	Ø Pipe (in)	Ø Body (in)	Package (pieces)	Notes
19SRDE1690	3"	6"	1	
19SRDE1611	4"	6"	1	
ITEM DISCOUNT GROUP: SMART-F				

## SPARE PARTS - PENETRATION FITTING AND ENTRY BOOT WITH TEST PORT- ELECTROFUSION - DOUBLE WALL

Material: HDPE

Range: 3" - 6" ÷ 4" - 6"



CODE	Ø Pipe (in)	Ø Body (in)	Package (pieces)	Notes
19SRDE1690TP	3"	6"	1	
19SRDE1611TP	4"	6"	1	
ITEM DISCOUNT GROUP: SMART-F				

## COAXIAL REDUCER - SPIGOT X SPIGOT - DOUBLE WALL

Material: HDPE

Range: 2" - 2 1/2" ÷ 4" - 3"



CODE	Ø Primary (in)	Ø Secondary (in)	Package (pieces)	Notes
19SRDW6350	2"	1 1/2"	1	
19SRDW9050	3"	1 1/2"	1	
19SRDW9063	3"	2"	1	
19SRDW11063	4"	2"	1	
19SRDW11090	4"	3"	1	
ITEM DISCOUNT GROUP: SMART-F				



## FEMALE ADAPTER FOR COAXIAL FITTINGS - NICKEL PLATED - DOUBLE WALL

Material: HDPE

Range: 1 ½" - 1 ½" ÷ 4" - 4"



CODE	Ø (in)	Thread (in)	Package (pieces)	Notes
19SAWFDNP50112NPT	1 ½"	1 ½"	1	
19SAWFDNP502NPT	1 ½"	2"	1	
19SAWFDNP63112NPT	2"	1 ½"	1	
19SAWFDNP632NPT	2"	2"	1	
19SAWFDNP903NPT	3"	3"	1	
19SAWFDNP1104NPT	4"	4"	1	

ITEM DISCOUNT GROUP: SMART-F

## RISER MALE LONG DOUBLE WALL

Material: HDPE

Range: 1 ½" - 1 ½" ÷ 2" - 2"



CODE	Ø (in)	Thread (in)	Package (pieces)	Notes
19SADWM50112NPT	1 ½"	1 ½"	1	
19SADWM63112NPT	2"	1 ½"	1	
19SADWM632NPT	2"	2"	1	

ITEM DISCOUNT GROUP: SMART-F

## RISER MALE LONG WITH TEST PORT DOUBLE WALL

Material: HDPE

Range: 2" - 2"



CODE	Ø (in)	Thread (in)	Package (pieces)	Notes
19SADWMLTP632NPT	2"	2"	1	

ITEM DISCOUNT GROUP: SMART-F

## EZ-FIT LONG RISER DOUBLE WALL

Material: HDPE

Range: 1 ½" - 1 ½" ÷ 2" - 2"



CODE	Ø (in)	Thread (in)	Package (pieces)	Notes
19SADWEL50	1 ½"	1 ½"	1	
19SADWEL63	2"	2"	1	
ITEM DISCOUNT GROUP: SMART-F				

## EZ-FIT LONG RISER WITH TEST PORT DOUBLE WALL

Material: HDPE

Range: 1 ½" - 1 ½" ÷ 2" - 2"



CODE	Ø (in)	Thread (in)	Package (pieces)	Notes
19SADWELTP50	1 ½"	1 ½"	1	
19SADWELTP63	2"	2"	1	
ITEM DISCOUNT GROUP: SMART-F				

## STAINLESS STEEL 304 FEMALE ADAPTER - SINGLE WALL - ADBLUE/DEF/UREA APPLICATION

Material: HDPE

Range: 1 ½" - 1 ½" ÷ 3" - 3"



CODE	Ø (in)	Thread (in)	Package (pieces)	Notes
19SAF50112SSNPT	1 ½"	1 ½"	1	
19SAF502SSNPT	1 ½"	2"	1	
19SAF63112SSNPT	2"	1 ½"	1	
19SAF632SSNPT	2"	2"	1	
19SAF903SSNPT	3"	3"	1	
ITEM DISCOUNT GROUP: SMART-F				

## STAINLESS STEEL 304 MALE ADAPTER - SINGLE WALL - ADBLUE/DEF/UREA APPLICATION

Material: HDPE

Range: 1 ½" - 1 ½" ÷ 3" - 3"



CODE	Ø (in)	Thread (in)	Package (pieces)	Notes
19SAM50112SSNPT	1 ½"	1 ½"	1	
19SAM502SSNPT	1 ½"	2"	1	
19SAM632SSNPT	2"	2"	1	
19SAM903SSNPT	3"	3"	1	
ITEM DISCOUNT GROUP: SMART-F				

## STAINLESS STEEL 304 FEMALE ADAPTER - DOUBLE WALL ADBLUE/DEF/UREA APPLICATION

Material: HDPE

Range: 1 ½" - 1 ½" ÷ 2" - 2"



CODE	Ø (in)	Thread (in)	Package (pieces)	Notes
19SAWFD50112SSNPT	1 ½"	1 ½"	1	
19SAWFD632SSNPT	2"	2"	1	
ITEM DISCOUNT GROUP: SMART-F				

## STAINLESS STEEL 304 EZ-FIT ADAPTER - DOUBLE WALL ADBLUE/DEF/UREA APPLICATION

Material: HDPE

Range: 1 ½" - 1 ½"



CODE	Ø (in)	Thread (in)	Package (pieces)	Notes
19SAEWF50SS	1 ½"	1 ½"	1	
ITEM DISCOUNT GROUP: SMART-F				

## STAINLESS STEEL RISER FEMALE LONG - DOUBLE WALL DOUBLE WALL

Material: HDPE

Range: 1 ½" - 1 ½"



CODE	Ø (in)	Thread (in)	Package (pieces)	Notes
19SADWF50112SSNPT	1 ½"	1 ½"	1	

ITEM DISCOUNT GROUP: SMART-F

## PENETRATION FITTINGS FOR SW FIBERGLASS SUMPS - ALUMINIUM FLANGE

Material: HDPE

Range: 2" ÷ 5"



CODE	Ø (in)	Package (pieces)	Notes
19SEBEFM63A	2"	1	Reducer used 19SRDWE9063
19SEBEFM75A	2 ½"	1	Reducer used 19SRDWE11075
19SEBEFM90A	3"	1	Reducer used 19SRDE1690
19SEBEFM110A	4"	1	Reducer used 19SRDE1611
19SEBEFM125A	5"	1	Reducer used 19SRDWE160125

ITEM DISCOUNT GROUP: SMART-F

## PENETRATION FITTINGS FOR DW FIBERGLASS SUMPS - ALUMINIUM FLANGE

Material: HDPE

Range: 2" ÷ 5"



CODE	Ø (in)	Package (pieces)	Notes
19SEBEF63A	2"	1	Reducer used 19SRDWE9063
19SEBEF75A	2 ½"	1	Reducer used 19SRDWE11075
19SEBEF90A	3"	1	Reducer used 19SRDE1690
19SEBEF110A	4"	1	Reducer used 19SRDE1611
19SEBEF125A	5"	1	Reducer used 19SRDWE160125

ITEM DISCOUNT GROUP: SMART-F

## MECHANICAL ELECTROFUSION - ENTRY BOOT

Material: HDPE

Range: 2" ÷ 5"



CODE	Ø (in)	Package (pieces)	Notes
19SEBEP63	2"	1	Reduser used 19SRDWE9063
19SEBEP75	2 ½"	1	Reduser used 19SRDWE11075
19SEBEP90	3"	1	Reduser used 19SRDE1690
19SEBEP110	4"	1	Reduser used 19SRDE1611
19SEBEP125	5"	1	Reduser used 19SRDWE160125
ITEM DISCOUNT GROUP: SMART-F			

NOTE: TO WELD THE FITTING USE 00CONN4490

## DOUBLE WALL MECHANICAL ELECTROFUSION - ENTRY BOOT

Material: HDPE

Range: 2" ÷ 2 ½"

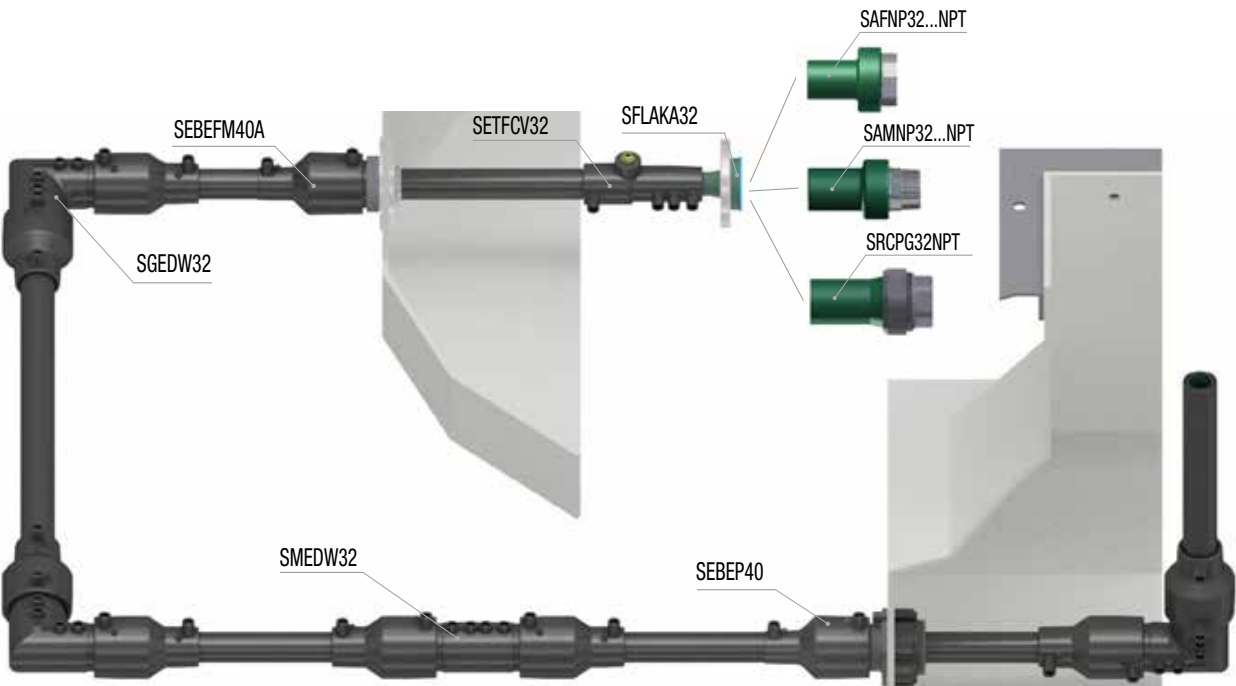


CODE	Ø (in)	Package (pieces)	Notes
19SEBEP63DW	2"	1	Reduser used 19SRDWE9063
19SEBEP75DW	2 ½"	1	Reduser used 19SRDWE11075
ITEM DISCOUNT GROUP: SMART-F			

NOTE: TO WELD THE FITTING USE 00CONN4490



## 1" SECONDARY CONTAINED PIPE



## SINGLE WALL UL 971 LISTED PRODUCT PIPE - STRAIGHT LENGTHS/STICKS

Material: HDPE

Range: 1"



CODE	Ø (in)	Package (ft)	Notes
19TSMAXP32B6	1"	19	Straight lengths (sticks)
19TSMAXP32B10	1"	35	Straight lengths (sticks)
19TSMAXP32B12	1"	39	Straight lengths (sticks)

ITEM DISCOUNT GROUP: SMART-P

## COUPLING - ELECTROFUSION - SINGLE WALL

Material: HDPE

Range: 1"



CODE	Ø (in)	Package (pieces)	Notes
19SME32	1"	1	

ITEM DISCOUNT GROUP: SMART-F

## ELBOW 45° - ELECTROFUSION - SINGLE WALL

Material: HDPE

Range: 1"



CODE	Ø (in)	Package (pieces)	Notes
19SCE32	1"	1	

ITEM DISCOUNT GROUP: SMART-F

## ELBOW 90° - ELECTROFUSION - SINGLE WALL

Material: HDPE

Range: 1"



CODE	Ø (in)	Package (pieces)	Notes
19SGE32	1"	1	
ITEM DISCOUNT GROUP: SMART-F			

## TEE - ELECTROFUSION - SINGLE WALL

Material: HDPE

Range: 1"



CODE	Ø (in)	Package (pieces)	Notes
19STE32	1"	1	
ITEM DISCOUNT GROUP: SMART-F			

## CONCENTRIC REDUCER - ELECTROFUSION - SINGLE WALL

Material: HDPE

Range: 1"



CODE	Ø (in)	Package (pieces)	Notes
19SRDEL5032	1 ½" - 1"	1	
ITEM DISCOUNT GROUP: SMART-F			

## END CAP - LONG SPIGOT - SINGLE WALL

Material: HDPE

Range: 1"



CODE	Ø (in)	Package (pieces)	Notes
19STPCL32	1"	1	
ITEM DISCOUNT GROUP: SMART-F			

## CONCENTRIC REDUCER - SPIGOT X SPIGOT - SINGLE WALL

Material: HDPE

Range: 1 ½" - 1"



CODE	Ø (in)	Package (pieces)	Notes
19SR5032	1 ½" - 1"	1	
ITEM DISCOUNT GROUP: SMART-F			

## FEMALE ADAPTER NICKEL PLATED - SINGLE WALL

Material: HDPE

Range: 1" - 1"



CODE	Ø (in)	Thread (in)	Package (pieces)	Notes
19SAFNP321NPT	1"	1"	1	
ITEM DISCOUNT GROUP: SMART-F				

## MALE ADAPTER NICKEL PLATED - SINGLE WALL

Material: HDPE

Range: 1" - 1"



CODE	Ø (in)	Thread (in)	Package (pieces)	Notes
19SAMNP321NPT	1"	1"	1	
ITEM DISCOUNT GROUP: SMART-F				

## STAINLESS STEEL 304 FEMALE ADAPTER - SINGLE WALL - ADBLUE/DEF/UREA APPLICATION

Material: HDPE

Range: 1" - 1"



CODE	Ø (in)	Thread (in)	Package (pieces)	Notes
19SAF321SSNPT	1"	1"	1	
ITEM DISCOUNT GROUP: SMART-F				

## STAINLESS STEEL 304 MALE ADAPTER - SINGLE WALL - ADBLUE/DEF/UREA APPLICATION

Material: HDPE

Range: 1" - 1"



CODE	Ø (in)	Thread (in)	Package (pieces)	Notes
19SAM321SSNPT	1"	1"	1	
ITEM DISCOUNT GROUP: SMART-F				

## DOUBLE WALL UL 971 LISTED PRODUCT PIPE - STRAIGHT LENGTHS/STICKS

Material: HDPE

Range: 1" - 1 1/2"



CODE	Ø Primary (in)	Ø Secondary (in)	Package (ft)	Notes
19TSMAXPD3250B6	1"	1 1/2"	19	Straight lengths (sticks)
19TSMAXPD3250B10	1"	1 1/2"	35	Straight lengths (sticks)
19TSMAXPD3250B12	1"	1 1/2"	39	Straight lengths (sticks)

ITEM DISCOUNT GROUP: SMART-P

## COAXIAL COUPLING - ELECTROFUSION - DOUBLE WALL

Material: HDPE

Range: 1" - 1 1/2"



CODE	Ø Primary (in)	Ø Secondary (in)	Package (pieces)	Notes
19SMEDW3250	1"	1 1/2"	1	Reducer used 19SRDEL6350

ITEM DISCOUNT GROUP: SMART-F

## COAXIAL 90° ELBOW - ELECTROFUSION - DOUBLE WALL

Material: HDPE

Range: 1" - 1 1/2"



CODE	Ø Primary (in)	Ø Secondary (in)	Package (pieces)	Notes
19SGEDW3250	1"	1 1/2"	1	Reducer used 19SRDEL6350

ITEM DISCOUNT GROUP: SMART-F

## TERMINATION FITTING - ELECTROFUSION - DOUBLE WALL

Material: HDPE

Range: 1" - 1 1/2"



CODE	Ø Primary (in)	Ø Secondary (in)	Package (pieces)	Notes
19SETFV3250	1"	1 1/2"	1	Reduser used 19SRDEL6350
ITEM DISCOUNT GROUP: SMART-F				

## TERMINATION FITTING WITH TEST PORT - ELECTROFUSION - DOUBLE WALL

Material: HDPE

Range: 1" - 1 1/2"



CODE	Ø Primary (in)	Ø Secondary (in)	Package (pieces)	Notes
19SETFVR3250	1"	1 1/2"	1	Reduser used 19SRDEL6350TP
ITEM DISCOUNT GROUP: SMART-F				

## PENETRATION FITTINGS FOR SW FIBERGLASS SUMPS - ALUMINIUM FLANGE

Material: HDPE

Range: 1" ÷ 1 1/2"



CODE	Ø (in)	Package (pieces)	Notes
19SEBEFM32A	1"	1	Reduser used 19SRDEL6350
19SEBEFM40A	1 1/4"	1	Reduser used 19SRDEL6350
19SEBEFM50A	1 1/2"	1	Reduser used 19SRDEL6350
ITEM DISCOUNT GROUP: SMART-F			



## PENETRATION FITTINGS FOR DW FIBERGLASS SUMPS - ALUMINIUM FLANGE

Material: HDPE  
Range: 1" ÷ 1 ½"



CODE	Ø (in)	Package (pieces)	Notes
19SEBEF32A	1"	1	Reducer used 19SRDWE6332
19SEBEF40A	1 ¼"	1	Reducer used 19SRDWE6332
19SEBEF50A	1 ½"	1	Reducer used 19SRDWE9050

ITEM DISCOUNT GROUP: SMART-F

## MECHANICAL ELECTROFUSION - ENTRY BOOT

Material: HDPE  
Range: 1" ÷ 1 ½"



CODE	Ø (in)	Package (pieces)	Notes
19SEBEPN32	1"	1	Reducer used 19SRDWE6332
19SEBEPN40	1 ¼"	1	Reducer used 19SRDWE6332
19SEBEPN50	1 ½"	1	Reducer used 19SRDWE9050

ITEM DISCOUNT GROUP: SMART-F

NOTE: TO WELD THE FITTING USE 00CONN4490

## SPARE PARTS - PENETRATION FITTING AND ENTRY BOOT - ELECTROFUSION

Material: HDPE  
Range: 1 ½" - 1" ÷ 2" - 1 ½"



CODE	Ø (in)	Package (pieces)	Notes
19SRDEL5032	1 ½" - 1"	1	
19SRDEL6332	2" - 1"	1	
19SRDEL6350	2" - 1 ½"	1	

ITEM DISCOUNT GROUP: SMART-F

## SPARE PARTS - PENETRATION FITTING AND ENTRY BOOT WITH TEST PORT- ELECTROFUSION



Material: HDPE

Range: 1 ½" - 1" ÷ 2" - 1 ½"

CODE	Ø (in)	Package (pieces)	Notes
19SRDEL5032TP	1 ½" - 1"	1	
19SRDEL6332TP	2" - 1"	1	
19SRDEL6350TP	2" - 1 ½"	1	
ITEM DISCOUNT GROUP: SMART-F			

## CONDUIT PIPE - COILS

Material: HDPE  
Range: 1"



CODE	Ø (in)	Package (ft)	Notes
19TCNIO1R100	1"	328	Coils
19TCNIO1R150	1"	500	Coils
ITEM DISCOUNT GROUP: SMART-P			

## COUPLING - ELECTROFUSION -

Material: HDPE  
Range: 1"



CODE	Ø (in)	Package (pieces)	Notes
19CMEI01	1"	1	
ITEM DISCOUNT GROUP: SMART-F			

## LONG RISER STEEL PIPE - HDPE COATED

Material: HDPE  
Range: 1" - ¾" ÷ 1 ¼" - 1"



CODE	Ø (in)	Thread (in)	Package (pieces)	Notes
19CLRSP1346NPT	1"	¾"	1	6 ft long use w/SEBEP32 or SEBEFM32A
19CLRSP13410NPT	1"	¾"	1	10 ft long use w/SEBEP32 or SEBEFM32A
19CLRSP1406NPT	1 ¼"	1"	1	6 ft long use w/SEBEP40 or SEBEFM40A
19CLRSP14010NPT	1 ¼"	1"	1	10 ft long use w/SEBEP40 or SEBEFM40A
ITEM DISCOUNT GROUP: SMART-F				

## RIGID CONDUIT - HDPE COATED

Material: HDPE

Range: 1" - ¾" ÷ 1 ¼" - 1"



CODE	Ø (in)	Thread (in)	Package (pieces)	Notes
19SASP3234NPT	1"	¾"	1	1 ft long use w/SEBEP32 or SEBEFM32A
19SASP401NPT	1 ¼"	1"	1	1 ft long use w/SEBEP40 or SEBEFM40A
ITEM DISCOUNT GROUP: SMART-F				

## FEMALE THREADED TRANSITION ADAPTERS

Material: HDPE

Range: 1" - ¾" ÷ 1" - 1"



CODE	Ø (in)	Thread (in)	Package (pieces)	Notes
19CAFI01034NPT	1"	¾"	1	
19CAFI0101NPT	1"	1"	1	
ITEM DISCOUNT GROUP: SMART-F				

## MALE THREADED TRANSITION ADAPTERS

Material: HDPE

Range: 1" - ¾" ÷ 1" - 1"



CODE	Ø (in)	Thread (in)	Package (pieces)	Notes
19CAMI01034NPT	1"	¾"	1	
19CAMI0101NPT	1"	1"	1	
ITEM DISCOUNT GROUP: SMART-F				

## PENETRATION FITTINGS FOR SW FIBERGLASS SUMPS - ALUMINIUM FLANGE

Material: HDPE  
Range: 1" ÷ 1 ¼"



CODE	Ø (in)	Package (pieces)	Notes
19SEBEFM32A	1"	1	Reducer used 19SRDEL6332
19SEBEFM40A	1 ¼"	1	Reducer used 19SRDEL6340
ITEM DISCOUNT GROUP: SMART-F			

## PENETRATION FITTINGS FOR DW FIBERGLASS SUMPS - ALUMINIUM FLANGE

Material: HDPE  
Range: 1" ÷ 1 ¼"



CODE	Ø (in)	Package (pieces)	Notes
19SEBEF32A	1"	1	Reducer used 19SRDEL6332
19SEBEF40A	1 ¼"	1	Reducer used 19SRDEL6340
ITEM DISCOUNT GROUP: SMART-F			

## MECHANICAL ELECTROFUSION - ENTRY BOOT

Material: HDPE  
Range: 1" ÷ 1 ¼"



CODE	Ø (in)	Package (pieces)	Notes
19SEBEPN32	1"	1	Reducer used 19SRDEL6332
19SEBEPN40	1 ¼"	1	Reducer used 19SRDEL6340
ITEM DISCOUNT GROUP: SMART-F			

NOTE: TO WELD THE FITTING USE 00CONN4490

## SPARE PARTS - TERMINATION FITTING - ELECTROFUSION

Material: HDPE

Range: 1 1/2" - 1" ÷ 2" - 1 1/4"



CODE	Ø (in)	Package (pieces)	Notes
19SRDEL6332	2" - 1"	1	
19SRDEL6340	2" - 1 1/4"	1	
ITEM DISCOUNT GROUP: SMART-F			

## SPARE PARTS - TERMINATION FITTING WITH TEST PORT - ELECTROFUSION

Material: HDPE

Range: 2" - 1"



CODE	Ø (in)	Package (pieces)	Notes
19SRDEL6332TP	2" - 1"	1	
ITEM DISCOUNT GROUP: SMART-F			

## PIPE FOR THE TRASPORT OF LPG GAS - COILS

Material: HDPE

Range: ½" ÷ 1"



CODE	Ø (in)	Package (ft)	Notes
19TGSA20R500	½"	1640	Coils
19TGSA32R250	1"	820	Coils
ITEM DISCOUNT GROUP: SMART-P			

## CORRUGATED PIPE - COILS

Range: 2"



CODE	Ø (in)	Package (ft)	Notes
19TGSCOR63	2"	164	Coils
ITEM DISCOUNT GROUP: SMART-P			

## MALE THREADED TERMINATING FITTING ALLOY STEEL

Range: ½" ÷ 1"



CODE	Ø (in)	Package (pieces)	Notes
19TGSAM2034BSPTCM	½"	1	Conical thread + 39TGSFER20
19TGSAM32114BSPTCM	1"	1	Conical thread + 39TGSFER32
ITEM DISCOUNT GROUP: SMART-F			



## BUSHING SMARTFLEX GPL - SPARE PARTS FOR THREADED TERMINATING FITTING ALLOY STEEL

Range: ½" ÷ 1"



CODE	Ø (in)	Package (pieces)	Notes
39TGSFER20	½"	1	
39TGSFER32	1"	1	
ITEM DISCOUNT GROUP: SMART-F			

## CRIMPING MACHINE 230V - 3 PHASE



CODE	Package (pieces)	Notes
00P20NMS/230	1	230 V
<b>ACCESSORIES AND SPARE PARTS</b>		
00U18013/31	1	Die Set 70mm Length 20 Series
00U18013/23	1	Die Set 55mm Length 20 Series
ITEM DISCOUNT GROUP: SMART-T		

## TUBE OF LUBRICANT



CODE	Package (pieces)	Notes
00U019302A	1	400 g
ITEM DISCOUNT GROUP: SMART-T		

## DISPENSER SUMP - HDPE



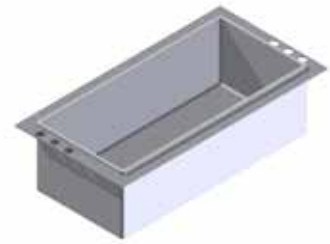
CODE	Package (pieces)	Notes
19DDS2312	1	HDPE dispenser sump 23" x 12" typical Bennett & Legacy
19DDS2815	1	HDPE dispenser sump 28" x 15" typical Wayne Select
19DDS2911	1	HDPE dispenser sump 29" x 11" typical New Wayne DEF
19DDS3016	1	HDPE dispenser sump 30" x 16" typical Global Century
19DDS3117	1	HDPE dispenser sump 31" x 17" typical Wayne Helix 2 hoses
19DDS3615	1	HDPE dispenser sump 36" x 15" typical Gilbarco Encore
19DDS3617	1	HDPE dispenser sump 36" x 17" typical Gilbarco Encore
19DDS4117	1	HDPE dispenser sump 41" x 17" typical Wayne Helix 4 hoses
19DDS4211	1	HDPE dispenser sump 42" x 11" typical Vista
19DDS4215	1	HDPE dispenser sump 42" x 15" typical Bennett & Wayne Ovation
ITEM DISCOUNT GROUP: SMART-S		

## DOUBLE WALL DISPENSER SUMP - HDPE



CODE	Package (pieces)	Notes
19DDS2815DW	1	HDPE dispenser sump 28" x 15"
19DDS3817DW	1	HDPE dispenser sump 38" x 17"
19DDS4215DW	1	HDPE dispenser sump 42" x 15"
ITEM DISCOUNT GROUP: SMART-S		

## MARINA DISPENSER SUMP - HDPE



CODE	Package (pieces)	Notes
19DDS2312MAR	1	2" HDPE dispenser sump 23" x 12"
19DDS3617MAR	1	2" HDPE dispenser sump 36" x 17"
ITEM DISCOUNT GROUP: SMART-S		

## DISPENSER SUMP DEF - HDPE



CODE	Package (pieces)	Notes
19DDS3816	1	HDPE dispenser sump DEF 38" x 16" typical Wayne DEF
19DDS4212	1	HDPE dispenser sump DEF 42" x 12" typical Bennet DEF
19DDS5417	1	HDPE dispenser sump DEF 54" x 17" typical Gilbarco Encore DEF
ITEM DISCOUNT GROUP: SMART-S		

## DOUBLE WALL DISPENSER SUMP - HDPE (ASSEMBLY ITEM)



CODE	Package (pieces)	Notes
19DDS5417DW	1	HDPE dispenser sump double wall 54" x 17"
ITEM DISCOUNT GROUP: SMART-S		

## TANK SUMP - HDPE



CODE	Package (pieces)	Notes
19STS4130TC	1	HDPE tank sump Shallow - Trash can Lid
19STS4130S	1	HDPE tank sump Shallow - Screw Lid
19STS4539TC	1	HDPE tank sump Shallow - Trash can Lid
19STS4539S	1	HDPE tank sump Shallow - Screw Lid
ITEM DISCOUNT GROUP: SMART-S		

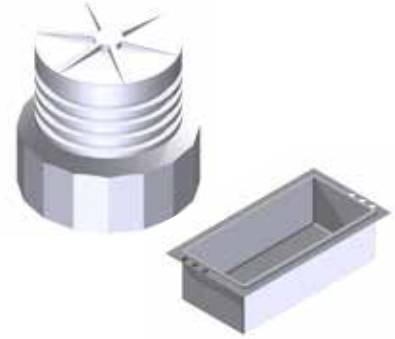
NOTE: FOR CENTRAL AND SOUTH AMERICAN MARKET ONLY.

## TANK TRANSITION SUMP - HDPE



CODE	Package (pieces)	Notes
19STTS4130TC	1	HDPE tank sump - Transition rectangular base - Trash can Lid
ITEM DISCOUNT GROUP: SMART-S		

## ACCESSORIES SUMP - HDPE



CODE	Package (pieces)	Notes
19STS4130TCLID	1	Accessories replacement HDPE tank sump STS4130TC - Lid
19STS4130SLID	1	Accessories replacement HDPE tank sump STS4130S - Lid
19STS4539TCLID	1	Accessories replacement HDPE tank sump STS4539TC - Lid
19STS4539SLID	1	Accessories replacement HDPE tank sump STS4539S - Lid
19DDS3617LID	1	Accessories replacement HDPE dispenser sump DD3617 - Lid
19STS4130TCGAS	1	Accessories replacement HDPE tank sump STS4130 - Gasket
19STS4539TCGAS	1	Accessories replacement HDPE tank sump STS4539 - Gasket
19STS4130SGAS	1	Accessories replacement HDPE tank sump STS4130S - Gasket
19STS4539SGAS	1	Accessories replacement HDPE tank sump STS4539S - Gasket
19STS4130LK	1	Accessories replacement HDPE tank sump STS4130 - Latch Kit
19STS4539LK	1	Accessories replacement HDPE tank sump STS4539 - Latch Kit
19STSJK	1	Accessories replacement HDPE tank sump - Clamp kit
ITEM DISCOUNT GROUP: SMART-S		

## STABILIZER BAR FOR DISPENSER SUMP



CODE	Package (pieces)	Notes
19SBS1223	1	use w/ 19DDS2312 - 19DDS2312MAR
19SBS1528	1	use w/ 19DDS2815
19SBS1129	1	use w/ 19DDS2911
19SBS1142	1	use w/ 19DDS4211
19SBS1223	1	use w/ 19DDS2312 - 19DDS2312MAR - 19DDS4212
19SBS1542	1	use w/ 19DDS4215
19SBS1630	1	use w/ 19DDS3016 - 19DDS3816
19SBS1536	1	use w/ 19DDS3615
19SBS1731	1	use w/ 19DDS3117
19SBS1736	1	use w/ 19DDS3617 - 19DDS3617MAR - 19DDS3117
19SBS1741	1	use w/ 19DDS4117 - 19DDS5417
19SBS1142	1	use w/ 19DDS4211
19SBS1242	1	use w/ 19DDS4212
19SBS1638DEF	1	use w/ 19DDS3816DEF compartment
ITEM DISCOUNT GROUP: SMART-S		

## SHARES VALVES



CODE	Package (pieces)	Notes
19ESOVSP112F	1	1-1/2" Female Emerg. Shut-off Valve Single Poppet
19ESOVDP112F	1	1-1/2" Female Emerg. Shut-off Valve Double Poppet
19ESOVDP112FSS	1	1-1/2" Female Emerg. Shut-off Valve Double Poppet - Stainless Steel
19EMSOVDP112F	1	1-1/2" Female Emerg. Shut-off Valve Double Poppet
19EMSOVDP112FSS	1	1-1/2" Female Emerg. Shut-off Valve Double Poppet - Stainless Steel
ITEM DISCOUNT GROUP: SMART-F		

## AUTOMATIC MULTIFUNCTION WELDING UNIT INCORPORATED IN SUITCASE WITH BARCODE - LIGHT VERSION



CODE	Ø Welding Range	Package (pieces)	Dimensions	Weight
00SMARTWEDL/110	½" ÷ 6"	1	20"x16"xH 8"	35 lb
00SMARTWEDL/230	½" ÷ 6"	1	20"x16"xH 8"	35 lb
ITEM DISCOUNT GROUP: SMART-S				

## AUTOMATIC MULTIFUNCTION WELDING UNIT WITH BARCODE - SUPER LIGHT VERSION



CODE	Ø Welding Range	Package (pieces)	Dimensions	Weight
00E9001SLUSB/110	½" ÷ 2"	1	8.2"x4.5"xH 17"	14 lb
00E9001SLUSB/230	½" ÷ 2"	1	8.2"x4.5"xH 17"	14 lb
ITEM DISCOUNT GROUP: SMART-S				



## BARCODE SCANNER FOR WELDING UNIT



CODE	Package (pieces)	Notes
00BCSCAN	1	spare part
ITEM DISCOUNT GROUP: SMART-T		

## 90° ADAPTER FOR PIN CONNECTION



CODE	Package (pieces)	Notes
00CONN4490	1	spare part
ITEM DISCOUNT GROUP: SMART-T		

## RECALIBRATION, MAINTENANCE AND SPARE PARTS AVAILABLE FOR ALL WELDING UNITS



CODE	Package (pieces)	Notes
	1	spare part
ITEM DISCOUNT GROUP: SMART-T		

# SMARTFLEX WELDING UNIT TOOL KIT



CODE	Package (pieces)	Notes
------	------------------	-------

00WUTKL	1	<p>kit include: 00SMARTWEDL/110 welding unit,            19SCUT circular pipe cutter,            19SPIDW pliers for double wall pipe (2 pcs),            19CAMS2 revolving scraper,            19STAZ438 hole saw 4" 3/8            19STAZ338 hole saw 3" 3/8            00CONN4490 90° adapter for pin connection.</p>
---------	---	---

00WUTKL/230	1	<p>kit include: 00SMARTWEDL/230 welding unit,            19SCUT circular pipe cutter,            19SPIDW pliers for double wall pipe (2 pcs),            19CAMS2 revolving scraper,            19STAZ438 hole saw 4" 3/8            19STAZ338 hole saw 3" 3/8            00CONN4490 90° adapter for pin connection.</p>
-------------	---	---



00WUTKSL	1	<p>kit include: 00E9001SL/110 welding unit,            19SCUT circular pipe cutter,            19SPIDW pliers for double wall pipe (2 pcs),            19CAMS2 revolving scraper,            19STAZ438 hole saw 4" 3/8            19STAZ338 hole saw 3" 3/8            00CONN4490 90° adapter for pin connection</p>
----------	---	--

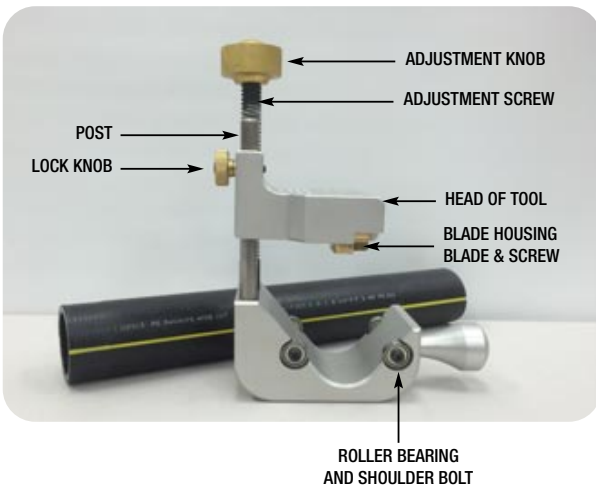
00WUTKSL/230	1	<p>kit include: 00E9001SL/230 welding unit,            19SCUT circular pipe cutter,            19SPIDW pliers for double wall pipe (2 pcs),            19CAMS2 revolving scraper,            19STAZ438 hole saw 4" 3/8            19STAZ338 hole saw 3" 3/8            00CONN4490 90° adapter for pin connection</p>
--------------	---	--

ITEM DISCOUNT GROUP: SMART-T

## REVOLVING SCRAPER



CODE	∅ (in)	Package (pieces)	Notes
<b>19CAMS2</b>	1" ÷ 2 ½"	1	
<b>19CAMS4</b>	3" ÷ 6"	1	
<b>19BLADECAMS2</b>		1	spare blade use w/c
ITEM DISCOUNT GROUP: SMART-T			



CODE	Package (pieces)	Notes
<b>19BS</b>	1	blade support
<b>19BSB</b>	1	blade support plate
<b>19BSC</b>	1	blade support case
<b>39ADJKNOB</b>	1	adjustment knob
<b>39LOCKKNOB</b>	1	lock knob
<b>39HOUSING</b>	1	housing
<b>39BLADE</b>	1	blade
<b>39HOUSINGSPRING</b>	1	housingspring
<b>39BLADESCREW</b>	1	blade screw
<b>39ROLLERBEARING</b>	1	roller bearing
<b>39POST</b>	1	post
<b>39SHOULDERBOLT</b>	1	shoulder bolt
<b>39ADJSCREW2</b>	1	adjustment screw for 19CAMS2
<b>39ADJSCREW4</b>	1	adjustment screw for 19CAMS4
ITEM DISCOUNT GROUP: SMART-T		

## SCRAPER FOR SUPERSMARTFLEX



CODE	Ø (in)	Package (pieces)	Notes
OORATUL50	1 ½"	1	1 ½" UL971 primary pipe scraper
OORATUL63	2"	1	2" UL971 primary pipe scraper
ITEM DISCOUNT GROUP: SMART-T			

## POWER DRILL DRIVE KIT



CODE	Ø (in)	Package (pieces)	Notes
OORATUL50KD	1 ½"	1	power drill drive kit use w/RATUL50
OORATUL63KD	2"	1	power drill drive kit use w/RATUL63
ITEM DISCOUNT GROUP: SMART-T			

## MANUAL SCRAPER



CODE	Package (pieces)	Notes
OORAM1	1	small
OORAM2	1	large
ITEM DISCOUNT GROUP: SMART-T		

## CIRCULAR PIPE CUTTER



CODE	Ø (in)	Package (pieces)	Notes
19SCUT	2" ÷ 5"	1	
19SLRCUT		1	spare blade use w/SCUT
ITEM DISCOUNT GROUP: SMART-T			

## PLIERS FOR DOUBLE WALL PIPE



CODE	Ø (in)	Package (pieces)	Notes
19SPLIDW	1 ½" ÷ 2"	1	
ITEM DISCOUNT GROUP: SMART-T			

## HDPE DETERGENT



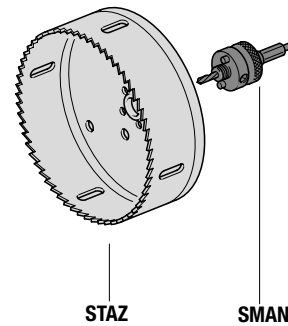
CODE	Package (pieces)	Notes
00LID	1	13 FL OZ
ITEM DISCOUNT GROUP: SMART-T		

## WRENCH



CODE	Package (pieces)	Notes
00CHIAVE063	1	for codes: SEBEP32 SEBEP50
00CHIAVE090	1	for codes: SEBEP63 SEBEP75
00CHIAVE110	1	for codes: SEBEP90 SEBEP110 SEBEP125
ITEM DISCOUNT GROUP: SMART-T		

## HOLE SAW AND MANDREL



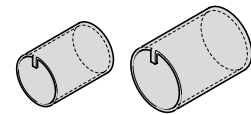
CODE	Ø (in)	Package (pieces)	Notes
19STAZ214	2 ¼"	1	for codes: CEB32,CEBE32, SEBEFM32A,SEBEF32A,
19STAZ318	3 ½"	1	for codes: SEBEFM50A,SEBEF50A, SEBEFM63A,SEBEF63A, SEBEFM75A,SEBEF75A
19STAZ338	3 ¾"	1	for codes: SEBEPN32
19STAZ438	4 ½"	1	for codes: SEBEP50, SEBEP63, SEBEP75
19STAZ6	6"	1	for codes: SEBEFM90A,SEBEF90A, SEBEFM110A,SEBEF110A, SEBEFM125A,SEBEF125A, SEBEP90, SEBEP110, SEBEP125
19SMAN		1	mandrel
ITEM DISCOUNT GROUP: SMART-T			

## HDPE COATED STEEL PIPE



CODE	Ø (in)	Thread (in)	Package (pieces)	Notes
19SASP63112NPT	2"	1 ½"	1	2" HDPE pipe on 1 ½", steel pipe NPT use w/SEBEP63 or SEBEFM63A
19SASP752NPT	2 ½"	2"	1	2 ½" HDPE pipe on 2", steel pipe NPT use w/SEBEP75 or SEBEFM75A
19SASP1103NPT	4"	3"	1	4" HDPE pipe on 3", steel pipe NPT use w/SEBEP110 or SEBEFM110A
19SASP1254NPT	5"	4"	1	5" HDPE pipe on 4", steel pipe NPT use w/SEBEP125 and SEBEFM125A
ITEM DISCOUNT GROUP: SMART-T				

## MISCELLANEOUS PRIMARY PIPE PROTECTIVE SLEEVES



CODE	Ø (in)	Package (pieces)	Notes
19STP	1 ½" - 2"	1	
ITEM DISCOUNT GROUP: SMART-T			

## EPOXY FOR FIBERGLASS PENETRATION FITTINGS



CODE	Package (pieces)	Notes
19SACB019	1	7 FL OZ
19SACB020	1	13 FL OZ
ITEM DISCOUNT GROUP: SMART-T		



## PETROSEAL MANUAL DISPENSING GUN



CODE	Package (pieces)	Notes
19SACB021	1	use w/items SACB019
19SACB041	1	use w/items SACB020
ITEM DISCOUNT GROUP: SMART-T		

## TEST PORT ADAPTER KIT



CODE	Package (pieces)	Notes
19SGHKF	1	
ITEM DISCOUNT GROUP: SMART-T		

## PLUGS SECONDARY CONTAINMENT



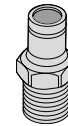
CODE	Ø (in)	Package (pieces)	Notes
19STVP6	¼"	1	¼" test port plug
19STVP15	⅝"	1	⅝" test port plug
ITEM DISCOUNT GROUP: SMART-T			

## TEST PORT ADAPTERS



CODE	Package (pieces)	Notes
19SPTM14	5	test port adapter 1/4" port
ITEM DISCOUNT GROUP: SMART-T		

## REPLACEMENT PUSH-IN TEST PORT



CODE	Package (pieces)	Notes
19SVT6	1	1/4" BSP thread x 0.24 in. tubing
ITEM DISCOUNT GROUP: SMART-T		

## TEST TUBING



CODE	Package (pieces)	Notes
19STT1525	1	5/8" test tube, 82 ft coil
19STT15100	1	5/8" test tube, 328 ft coil
19STT605	1	1/4" test tube, 16 ft coil
19STT625	1	1/4" test tube, 82 ft coil
19STT6100	1	1/4" test tube, 328 ft coil
ITEM DISCOUNT GROUP: SMART-T		

## CONSUMABLE KIT



CODE	Package (kit)	Notes
19SCK	1	manual scraper, primary pipe metal, gloves, markers
19SCKD	1	manual scraper, primary pipe metal, gloves, rags, professional sprayer, markers, detergent
19SCKDSTAZ	1	manual scraper, primary pipe metal, gloves, rags, professional sprayer, markers, detergent + 1 STAZ338 + 1 STAZ438
ITEM DISCOUNT GROUP: SMART-T		



**FREIGHT CONDITIONS:** All SMARTFLEX orders shipped domestically are shipped F.O.B. Houston Texas. All SMARTFLEX Italy orders shipped from Italy are shipped F.O.B. Busto Arsizio (VA) Italy. Once the material leaves our dock it becomes the property and responsibility of the consignee. If freight is lost, or damaged, all freight claims must be filed by the consignee. When shipping to a job site, freight will be third party billed. CUSTOMERS WILL HAVE ONE WEEK FROM THE DATE OF RECEIPT OF AN ORDER TO REPORT LOST, MISSING OR DAMAGED MATERIALS FROM THE SHIPMENT.

**FULL FREIGHT ALLOWANCE:** To meet the full freight allowance, SMARTFLEX orders must be for immediate complete shipment to one location within the contiguous United States or Canada. Each shipment for a project will be subject to the schedule below based on the amount of the follow-up order (i.e. the amount is not cumulative if follow-up orders are placed for the same project). Shipments to Alaska, Puerto Rico, Hawaii or for export are not freight allowed, except for the mainland portion of the freight. For shipments to Alaska, Hawaii, Puerto Rico or for export, the freight allowances shown below, for qualified items, are for shipment to East Coast, Gulf Coast or West Coast Ports only.

To meet the full freight allowance, SMARTFLEX orders must be for immediate shipment to one location within the United States, and must be:

- Over \$20,000.00 USD with pipe sticks lengths no longer than 19ft.
- Over \$30,000.00 USD with pipe sticks lengths over 19ft (35' or 39').
- Over \$3,500.00 orders of just fittings (not including sumps).
- Shipments outside of the United States are not freight allowed.

The minimum accepted net order amount shall be \$100 in all circumstances. For orders placed that are less than \$100, the net value of the order shall be increased by an amount so that the total order will be billed at \$100 plus the applicable amount for shipping percentage based on \$100 net order value. The customer will have 24 hours after notice of order confirmation to increase the amount or type of parts being ordered to be greater than or equal to \$100 to avoid the paying the surcharge.

**PAYMENT TERMS:** All invoices are due net 30 days from the date of the invoice with all Past Due accounts subject to a service charge of 1.5% per month. Or the order must be paid for in advance.

**RETURN POLICY:** If a need arises to return goods to Nupi Americas then the following requirements and processes must be followed and met.

**NOTE:** We do not accept pipe return. Only fittings in new and sealed packaging can be considered for return **within six months from purchase order.**

Step 1: Customer must request an RGA (Return Goods Authorization) from Nupi Americas and must provide all information requested on Document (PO number, invoice number, part numbers etc.)

Step 2: Nupi Americas will either approve or decline the request, if approved then a numbered RGA will be sent to the customer as an authority to return the goods. Any goods returned must have the RGA included in the package and transportation cost shall be paid by the customer.

Step 3: Nupi Americas will charge a 20% restocking fee on all goods returned. Exceptions must be agreed upon in advance and will only be addressed on a case by case basis.

**ORDER ACCEPTANCE:** No price list, literature, catalogue, website or other material describing our products is to be construed as an offer to sell same. Orders are subject to acceptance by us at our offices in Houston, TX. Your order, when shipped by us, shall be the complete contract between us, subject to, and incorporating therein, the terms and conditions, herein set forth, and any provisions or terms contained in the order submitted to us that are not consistent with our terms and conditions shall not be valid. Prices and discounts contained in any of our price lists or posted on our website are subject to change without notice.

**RUSH ORDERS / SHIPMENTS:** For all rush orders, next day, and second day air shipments received up until noon there will be no extra processing fee. Orders

received between noon and before 3:00 PM will have a rush processing fee of \$50.00. All orders received after 3:00 PM cannot be guaranteed to ship the same day if the order is able to ship the same day the rush processing fee will be added. If the order is not able to ship if received after 3:00 PM the order will ship the following business day.

**LIMITED WARRANTY:** Nupi Americas warrants that products sold by it which are incorporated in its SMARTFLEX Piping System shall be of good materials and workmanship and free from functional defects for a period of thirty (30) years from the date of sale, excepting valves, flex connectors, entry, terminating and test rubber boots, test tubes, gaskets and o-rings and products containing electrical components, which shall be of good materials and workmanship and free from functional defects for a period of two (2) years from the date of sale; provided that such products are properly installed in accordance with Nupi Americas's specifications and published instructions by qualified installers who have been trained and certified by Nupi Americas. These respective warranties shall become immediately null and void if the products to which they apply: (i) are employed in above-ground applications; (ii) are installed by anyone other than an installer trained by Nupi Americas; or (iii) are installed in a manner which fails to comply with Nupi Americas's written installation instructions.

As the sole and exclusive remedy for any breach of the limited warranties set forth above, nupi americas will replace nonconforming goods or refund the purchase price. these limited warranties are in lieu of all other warranties, express or implied, including, without limitation, those concerning merchantability or fitness for a particular purpose. these limited warranties are also in lieu of any other possible liabilities of nupi americas, whether alleged to have arisen by agreement or by operation of law, respecting the sale, installation, use or function of nupi americas's products, including, without limitation, claims of negligence, gross negligence, strict liability or any other tort. in no event shall nupi americas be liable for personal injury or damage to real or personal property attributed to its products, nor for any excavation, removal, downtime, cleanup, remediation, loss of use, loss of opportunity, loss of market value, loss of rental value, loss of profits, loss of production, or other special, incidental, resulting, consequential or exemplary damages. No person is authorized by Nupi Americas to accept for it any other liability of any kind in connection with the sale or use of products sold and/or marketed by it.

**LIMITATION OF LIABILITY:** If a claim arises as the result of a product defect, Nupi Americas shall cover losses caused to third parties for property damages and bodily injury or incidental damages in those situations where Nupi America's Liability Insurance Policy provides coverage for such losses, up to the coverage amounts provided in such policy and subject to all of the terms, conditions and exclusions of such policy (Policy CRLG24875854 Issued by ACE American Insurance Company).

No person is authorized by Nupi Americas to accept for it any other liability of any kind in connection with the sale or use of products sold and/or marketed by it.

All requests and notices under this Warranty shall be directed to:

Nupi Americas Inc. - Attn: Customer Service  
1511 Superior Way, Houston, TX 77039;  
Tel: 281-590- 4471, Fax: 281-590- 5268

**SHIPPING DATES – DELAYS – SHORTAGE CLAIMS:** Promises of shipping dates are estimates, and as such, cannot be guaranteed. Nupi Americas will not be liable for any delay in a delivery. Any claims for shipping errors, shortages or defects must be made to Nupi Americas within 24 hours of receipt of the goods. Buyer shall be required to make timely payment to seller of any amount which is undisputed, or not subject to such claims.

**TAXES:** Any sales or manufacturers' taxes are to be paid by the buyer, including those imposed under any future statutes.





## **Nupi Americas, Inc.**

314 Commerce Parkway  
Early Branch - SC 29916 - U.S.A.  
ph. +1 803-398-3579  
fax: +1 803 398 3639

[info@nupiamericas.com](mailto:info@nupiamericas.com)  
[www.nupiamericas.com](http://www.nupiamericas.com)

