



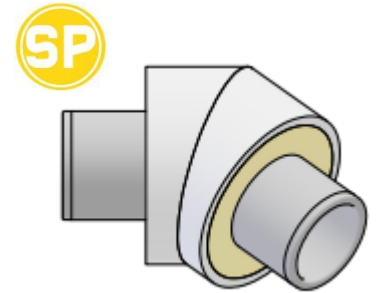
SUBMITTAL DATA SHEET

NI_AP_IN_0075.docx
Rev. -0 of 09/02/2023



NIRON CLIMA ALLPRO FITTINGS 45° PREINSULATED STANDARD BEND

- ITEM:** 27NC45AP_9MM
- SIZE RANGE:** 1" (32 mm) ÷ 12" (315 mm)
- SDR:** 9
- FUSION RANGE:** For Butt Fusion – SDR 9 and up
For Electrofusion – SDR 9 and up
- MATERIAL:** PP-RCT + Fiber glass + PUF + PPR jacket
- COLOR:** Grey (carrier pipe) + Grey with white outer layer (jacket pipe)
- WELDING SYSTEM:**  



INSTALLATION INSTRUCTIONS:

In accordance with DVS 2207, ASTM D2657 and NUPI AllPro Niron Catalog/Price Sheet

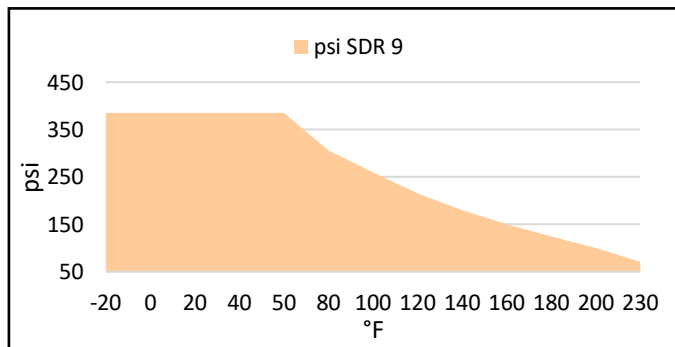
LISTINGS:

uNSF-14; ICC-ES; IAPMO

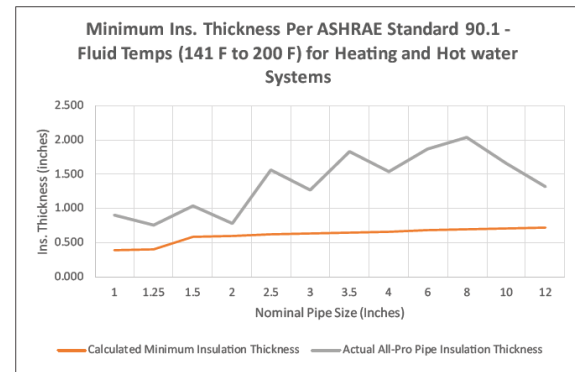
STANDARDS:

ANS/NSF 14; ASTM F2389; CSA B137.11; CAN/ULC S102.2

MAXIMUM OPERATING PRESSURE:



MINIMUM INSULATION THICKNESS PER ASHRAE STANDARD 90.1:



LINEAR EXPANTION RATE:

0.23 in /10°F/100 ft

For code or standard question pertaining to NIRON CLIMA AllPro Pipe and Fittings, contact Nupi Americas.

PRODUCT INFORMATION AND APPLICATION USE:

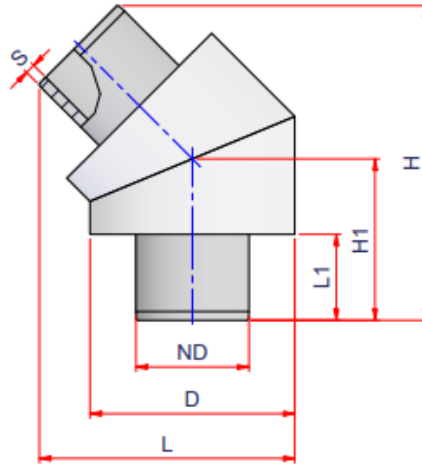
Niron AllPro preinsulated fittings are manufactured with Niron Clima PP-RCT carrier components that are housed within an IPS Sch. 40 jacket that is extruded with a 30 year U.V. resistant white PP-RCT external layer. The fittings are super insulated with highly efficient closed cell polyurethane foam (PUF) insulation which exceeds the required thickness for the ASHRAE 90.1 Energy Code in all sizes. This style of fitting has carrier pipes extended to allow joining by the AllPro EF or BF method. Each fitting is available in an optional "extended version" which has the centerline-to-end dimension of the fittings extended to allow for clamping in butt fusion machines which have a wide clamp set-up.



Nupi Americas, Inc.
314 Commerce Parkway
Early Branch, SC 29916
Phone: 813-398-3579
Fax: 813-398-3639
Mail: info@nupiamericas.com
Website: www.nupiamericas.com

SUBMITTAL DATA SHEET

NI_AP_IN_0075.docx
Rev. -0 of 09/02/2023



| CODE | Weight lbs/pc | Volume ft ³ /pc | ND | D | S | L1 | L | H1 | H |
|----------------|------------------|-------------------------------|------------------|-------|------|-----|-------|------|-------|
| 27NC45AP329MM | 0.688 | 0.1071 | 1" => 32 mm | 3.5 | 0.14 | 2 | 5.02 | 4 | 7.27 |
| 27NC45AP409MM | 0.813 | 0.1103 | 1 1/4" => 40 mm | 3.5 | 0.18 | 2 | 5.13 | 4 | 7.38 |
| 27NC45AP509MM | 1.497 | 0.2219 | 1 1/2" => 50 mm | 4.5 | 0.22 | 2.5 | 6.48 | 5 | 9.23 |
| 27NC45AP639MM | 1.867 | 0.2306 | 2" => 63 mm | 4.5 | 0.28 | 2.5 | 6.66 | 5 | 9.41 |
| 27NC45AP759MM | 3.712 | 0.4887 | 2 1/2" => 75 mm | 6.63 | 0.33 | 3 | 8.6 | 6 | 11.29 |
| 27NC45AP909MM | 4.574 | 0.5062 | 3" => 90 mm | 6.63 | 0.4 | 3 | 8.81 | 6 | 11.49 |
| 27NC45AP1109MM | 8.893 | 1.1517 | 3 1/2" => 110 mm | 8.63 | 0.48 | 4 | 11.5 | 8 | 15.19 |
| 27NC45AP1259MM | 10.377 | 1.1837 | 4" => 125 mm | 8.63 | 0.55 | 4 | 11.71 | 8 | 15.4 |
| 27NC45AP1609MM | 17.101 | 2.1154 | 6" => 160 mm | 10.75 | 0.71 | 4.5 | 14.32 | 9.5 | 18.44 |
| 27NC45AP2009MM | - | 3.7055 | 8" => 200 mm | 12.75 | 0.88 | 5 | 17.29 | 11.5 | 22.41 |
| 27NC45AP2509MM | - | 5.3387 | 10" => 250 mm | 14 | 1.1 | 5.5 | 19.67 | 13 | 25.67 |
| 27NC45AP3159MM | - | 7.4052 | 12" => 315 mm | 16 | 1.39 | 5 | 22.28 | 14.5 | 28.28 |

MANUFACTURER'S WARRANTY:

Thirty (30) Years from the date of sale upon successful completion of pressure test of the piping system (refer to published warranty for complete details).

NOTE:

* More information can be found on AllPro NIRON TECHNICAL CATALOGUE

*** In order for Niron pipe and fittings to meet E-84 and/or CAN/ULC S102.2 for installation in a plenum application, it must be covered with a minimum of 1" or greater E-84 fiberglass insulation

**** Technical Data may undergo dimensional changes, check revision at the top



Nupi Americas, Inc.
314 Commerce Parkway
Early Branch, SC 29916
Phone: 813-398-3579
Fax: 813-398-3639
Mail: info@nupiamericas.com
Website: www.nupiamericas.com