



SMARTFLEX™

PRODUCT CATALOG 2024 APRIL

PRE-ASSEMBLY FIBERGLASS Sump Options



PRODUCT CATALOG: SMARTFLEX PRE-ASSEMBLY FIBERGLASS 2024

REVISION: 00_APRIL

PRINT DATE: 2024 April 1st

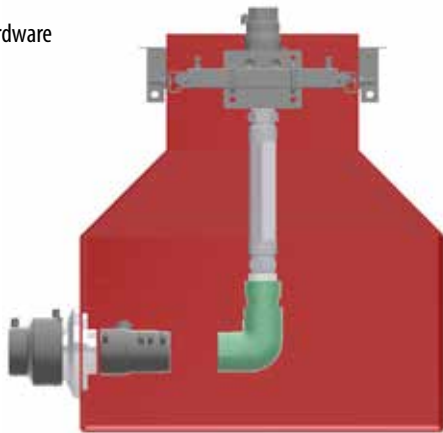
LIS MOD24



**PRE-ASSEMBLY
SINGLE WALL FIBERGLASS DISPENSER
SUMP OPTIONS**

PIPE SIZE: 2" (63MM)

DISPENSER MATERIAL: FRP Sumps
Galvanized Hardware



! Nupi Logo identifies A side

	SUMP	PRODUCTS	ELBOW (L)	TEE (T)	PIPE SIZE	OUTPUT Ø	Valve	CODE
OVATION	BDSS3514	1	✓	-	2"	1 ½"	OPW	19BSS35141L0T631120
	BDSS3514	1	✓	-	2"	1 ½"	EMCO	19BSS35141L0T63112E
	BDSS3514	2	✓	-	2"	1 ½"	OPW	19BSS35142L0T631120
	BDSS3514	2	✓	-	2"	1 ½"	EMCO	19BSS35142L0T63112E
	BDSS3514	3	✓	-	2"	1 ½"	OPW	19BSS35143L0T631120
	BDSS3514	3	✓	-	2"	1 ½"	EMCO	19BSS35143L0T63112E
	BDSS3514	4	✓	-	2"	1 ½"	OPW	19BSS35144L0T631120
	BDSS3514	4	✓	-	2"	1 ½"	EMCO	19BSS35144L0T63112E
ENCORE	BDSS3617	1	✓	-	2"	1 ½"	OPW	19BSS36171L0T631120
	BDSS3617	1	✓	-	2"	1 ½"	EMCO	19BSS36171L0T63112E
	BDSS3617	2	✓	-	2"	1 ½"	OPW	19BSS36172L0T631120
	BDSS3617	2	✓	-	2"	1 ½"	EMCO	19BSS36172L0T63112E
	BDSS3617	3	✓	-	2"	1 ½"	OPW	19BSS36173L0T631120
	BDSS3617	3	✓	-	2"	1 ½"	EMCO	19BSS36173L0T63112E
	BDSS3617	4	✓	-	2"	1 ½"	OPW	19BSS36174L0T631120
	BDSS3617	4	✓	-	2"	1 ½"	EMCO	19BSS36174L0T63112E

LEGEND:

PRE ASSEMBLE	SUMP	PRODUCT	PIPE SIZE	OUTPUT	VALVE
19BSS	3514 3617	1L (1 elbow) - OT (tee) 2L (2 elbow) - OT (tee) 3L (3 elbow) - OT (tee) 4L (4 elbow) - OT (tee)	63 (2")	112 (1 ½")	O (OPW) E (EMCO)

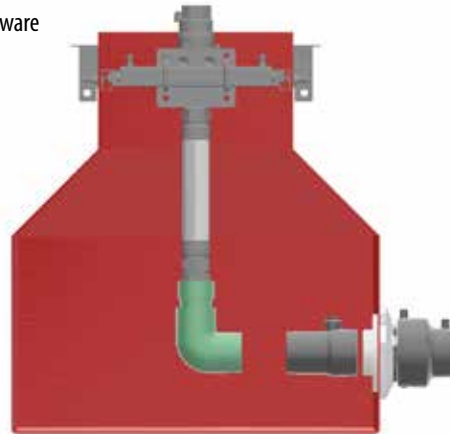
LISTINGS: UL 971; UL 2447; ICC-ES; UPC

STANDARDS: UL 971; UL 2447; ASTM F1290; ASTM D3350

We reserve the right to vary dimensions without notice, as the design of fittings change from time to time.
ITEMS NOT SUBJECT TO RETURN. ONCE CONFIRMED, P/OS CANNOT BE CANCELLED. FREE FREIGHT ALLOWANCE: \$7,500.00

PIPE SIZE: 2" (63MM)

DISPENSER MATERIAL: FRP Sumps
Galvanized Hardware



Nupi Logo identifies A side

	SUMP	PRODUCTS	TEE (T)	ELBOW (L)	PIPE SIZE	OUTPUT Ø	Valve	CODE
OVATION	BDSS3514	1	-	✓	2"	1 1/2"	OPW	19BSS35140T1L631120
	BDSS3514	1	-	✓	2"	1 1/2"	EMCO	19BSS35140T1L63112E
	BDSS3514	2	-	✓	2"	1 1/2"	OPW	19BSS35140T2L631120
	BDSS3514	2	-	✓	2"	1 1/2"	EMCO	19BSS35140T2L63112E
	BDSS3514	3	-	✓	2"	1 1/2"	OPW	19BSS35140T3L631120
	BDSS3514	3	-	✓	2"	1 1/2"	EMCO	19BSS35140T3L63112E
	BDSS3514	4	-	✓	2"	1 1/2"	OPW	19BSS35140T4L631120
	BDSS3514	4	-	✓	2"	1 1/2"	EMCO	19BSS35140T4L63112E
ENCORE	BDSS3617	1	-	✓	2"	1 1/2"	OPW	19BSS36170T1L631120
	BDSS3617	1	-	✓	2"	1 1/2"	EMCO	19BSS36170T1L63112E
	BDSS3617	2	-	✓	2"	1 1/2"	OPW	19BSS36170T2L631120
	BDSS3617	2	-	✓	2"	1 1/2"	EMCO	19BSS36170T2L63112E
	BDSS3617	3	-	✓	2"	1 1/2"	OPW	19BSS36170T3L631120
	BDSS3617	3	-	✓	2"	1 1/2"	EMCO	19BSS36170T3L63112E
	BDSS3617	4	-	✓	2"	1 1/2"	OPW	19BSS36170T4L631120
	BDSS3617	4	-	✓	2"	1 1/2"	EMCO	19BSS36170T4L63112E

LEGEND:

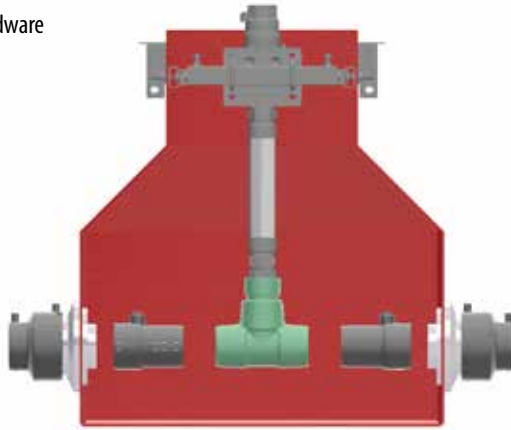
PRE ASSEMBLE	SUMP	PRODUCT	PIPE SIZE	OUTPUT	VALVE
19BSS	3514 3617	1L (1 elbow) - OT (tee)	63 (2")	112 (1 1/2")	O (OPW) E (EMCO)
		2L (2 elbow) - OT (tee)			
		3L (3 elbow) - OT (tee)			
		4L (4 elbow) - OT (tee)			

LISTINGS: UL 971; UL 2447; ICC-ES; UPC
STANDARDS: UL 971; UL 2447; ASTM F1290; ASTM D3350

We reserve the right to vary dimensions without notice, as the design of fittings change from time to time.
ITEMS NOT SUBJECT TO RETURN. ONCE CONFIRMED, P/OS CANNOT BE CANCELLED. FREE FREIGHT ALLOWANCE: \$7,500.00

PIPE SIZE: 2" (63MM)

DISPENSER MATERIAL: FRP Sumps
Galvanized Hardware



Nupi Logo identifies A side

	SUMP	PRODUCTS	ELBOW (L)	TEE (T)	PIPE SIZE	OUTPUT Ø	Valve	CODE
OVATION	BDSS3514	1	-	✓	2"	1 ½"	OPW	19BSS35141T631120
	BDSS3514	1	-	✓	2"	1 ½"	EMCO	19BSS35141T63112E
	BDSS3514	2	-	✓	2"	1 ½"	OPW	19BSS35142T631120
	BDSS3514	2	-	✓	2"	1 ½"	EMCO	19BSS35142T63112E
	BDSS3514	3	-	✓	2"	1 ½"	OPW	19BSS35143T631120
	BDSS3514	3	-	✓	2"	1 ½"	EMCO	19BSS35143T63112E
	BDSS3514	4	-	✓	2"	1 ½"	OPW	19BSS35144T631120
	BDSS3514	4	-	✓	2"	1 ½"	EMCO	19BSS35144T63112E
ENCORE	BDSS3617	1	-	✓	2"	1 ½"	OPW	19BSS36171T631120
	BDSS3617	1	-	✓	2"	1 ½"	EMCO	19BSS36171T63112E
	BDSS3617	2	-	✓	2"	1 ½"	OPW	19BSS36172T631120
	BDSS3617	2	-	✓	2"	1 ½"	EMCO	19BSS36172T63112E
	BDSS3617	3	-	✓	2"	1 ½"	OPW	19BSS36173T631120
	BDSS3617	3	-	✓	2"	1 ½"	EMCO	19BSS36173T63112E
	BDSS3617	4	-	✓	2"	1 ½"	OPW	19BSS36174T631120
	BDSS3617	4	-	✓	2"	1 ½"	EMCO	19BSS36174T63112E

LEGEND:

PRE ASSEMBLE	SUMP	PRODUCT	PIPE SIZE	OUTPUT	VALVE
19BSS	3514 3617	1T (tee) 2T (tee) 3T (tee) 4T (tee)	63 (2")	112 (1 ½")	O (OPW) E (EMCO)

LISTINGS: UL 971; UL 2447; ICC-ES; UPC

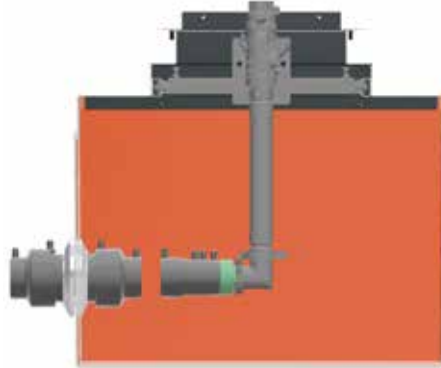
STANDARDS: UL 971; UL 2447; ASTM F1290; ASTM D3350



**PRE-ASSEMBLY
DOUBLE WALL FIBERGLASS DISPENSER
SUMP OPTIONS**

PIPE SIZE: 2" (63MM)

DISPENSER MATERIAL: FRP Sumps
Galvanized Hardware



Nupi Logo identifies A side

	SUMP	PRODUCTS	ELBOW (L)	TEE (T)	PIPE SIZE	OUTPUT Ø	Valve	CODE
OVATION	BSD3514	1	✓	-	2"	1 ½"	OPW	19BSD35141LOT631120
	BSD3514	1	✓	-	2"	1 ½"	EMCO	19BSD35141LOT63112E
	BSD3514	2	✓	-	2"	1 ½"	OPW	19BSD35142LOT631120
	BSD3514	2	✓	-	2"	1 ½"	EMCO	19BSD35142LOT63112E
	BSD3514	3	✓	-	2"	1 ½"	OPW	19BSD35143LOT631120
	BSD3514	3	✓	-	2"	1 ½"	EMCO	19BSD35143LOT63112E
	BSD3514	4	✓	-	2"	1 ½"	OPW	19BSD35144LOT631120
	BSD3514	4	✓	-	2"	1 ½"	EMCO	19BSD35144LOT63112E
ENCORE	BSD3617	1	✓	-	2"	1 ½"	OPW	19BSD36171LOT631120
	BSD3617	1	✓	-	2"	1 ½"	EMCO	19BSD36171LOT63112E
	BSD3617	2	✓	-	2"	1 ½"	OPW	19BSD36172LOT631120
	BSD3617	2	✓	-	2"	1 ½"	EMCO	19BSD36172LOT63112E
	BSD3617	3	✓	-	2"	1 ½"	OPW	19BSD36173LOT631120
	BSD3617	3	✓	-	2"	1 ½"	EMCO	19BSD36173LOT63112E
	BSD3617	4	✓	-	2"	1 ½"	OPW	19BSD36174LOT631120
	BSD3617	4	✓	-	2"	1 ½"	EMCO	19BSD36174LOT63112E

LEGEND:

PRE ASSEMBLE	SUMP	PRODUCT	PIPE SIZE	OUTPUT	VALVE
19BSD	3514 3617	1L (1 elbow) - OT (tee) 2L (2 elbow) - OT (tee) 3L (3 elbow) - OT (tee) 4L (4 elbow) - OT (tee)	63 (2")	112 (1 ½")	O (OPW) E (EMCO)

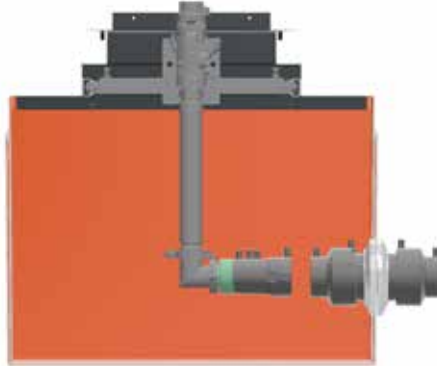
LISTINGS: UL 971; UL 2447; ICC-ES; UPC

STANDARDS: UL 971; UL 2447; ASTM F1290; ASTM D3350

We reserve the right to vary dimensions without notice, as the design of fittings change from time to time.
ITEMS NOT SUBJECT TO RETURN. ONCE CONFIRMED, P/OS CANNOT BE CANCELLED. FREE FREIGHT ALLOWANCE: \$7,500.00

PIPE SIZE: 2" (63MM)

DISPENSER MATERIAL: FRP Sumps
Galvanized Hardware



Nupi Logo identifies A side

	SUMP	PRODUCTS	TEE (T)	ELBOW (L)	PIPE SIZE	OUTPUT Ø	Valve	CODE
OVATION	BDS3514	1	-	<input checked="" type="checkbox"/>	2"	1 1/2"	OPW	19BSD35140T1L631120
	BDS3514	1	-	<input checked="" type="checkbox"/>	2"	1 1/2"	EMCO	19BSD35140T1L63112E
	BDS3514	2	-	<input checked="" type="checkbox"/>	2"	1 1/2"	OPW	19BSD35140T2L631120
	BDS3514	2	-	<input checked="" type="checkbox"/>	2"	1 1/2"	EMCO	19BSD35140T2L63112E
	BDS3514	3	-	<input checked="" type="checkbox"/>	2"	1 1/2"	OPW	19BSD35140T3L631120
	BDS3514	3	-	<input checked="" type="checkbox"/>	2"	1 1/2"	EMCO	19BSD35140T3L63112E
	BDS3514	4	-	<input checked="" type="checkbox"/>	2"	1 1/2"	OPW	19BSD35140T4L631120
	BDS3514	4	-	<input checked="" type="checkbox"/>	2"	1 1/2"	EMCO	19BSD35140T4L63112E
ENCORE	BDS3617	1	-	<input checked="" type="checkbox"/>	2"	1 1/2"	OPW	19BSD36170T1L631120
	BDS3617	1	-	<input checked="" type="checkbox"/>	2"	1 1/2"	EMCO	19BSD36170T1L63112E
	BDS3617	2	-	<input checked="" type="checkbox"/>	2"	1 1/2"	OPW	19BSD36170T2L631120
	BDS3617	2	-	<input checked="" type="checkbox"/>	2"	1 1/2"	EMCO	19BSD36170T2L63112E
	BDS3617	3	-	<input checked="" type="checkbox"/>	2"	1 1/2"	OPW	19BSD36170T3L631120
	BDS3617	3	-	<input checked="" type="checkbox"/>	2"	1 1/2"	EMCO	19BSD36170T3L63112E
	BDS3617	4	-	<input checked="" type="checkbox"/>	2"	1 1/2"	OPW	19BSD36170T4L631120
	BDS3617	4	-	<input checked="" type="checkbox"/>	2"	1 1/2"	EMCO	19BSD36170T4L63112E

LEGEND:

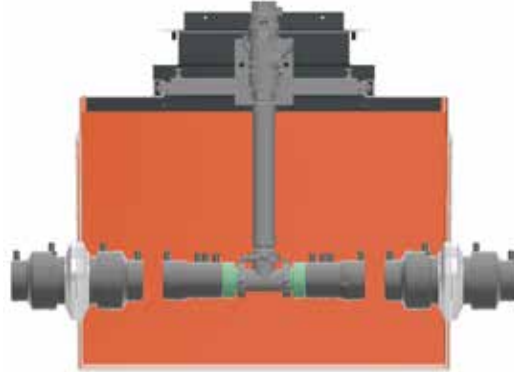
PRE ASSEMBLE	SUMP	PRODUCT	PIPE SIZE	OUTPUT	VALVE
19BSD	3514 3617	1L (1 elbow) - OT (tee)	63 (2")	112 (1 1/2")	O (OPW) E (EMCO)
		2L (2 elbow) - OT (tee)			
		3L (3 elbow) - OT (tee)			
		4L (4 elbow) - OT (tee)			

LISTINGS: UL 971; UL 2447; ICC-ES; UPC
STANDARDS: UL 971; UL 2447; ASTM F1290; ASTM D3350

We reserve the right to vary dimensions without notice, as the design of fittings change from time to time.
ITEMS NOT SUBJECT TO RETURN. ONCE CONFIRMED, P/OS CANNOT BE CANCELLED. FREE FREIGHT ALLOWANCE: \$7,500.00

PIPE SIZE: 2" (63MM)

DISPENSER MATERIAL: FRP Sumps
Galvanized Hardware



Nupi Logo identifies A side

	SUMP	PRODUCTS	ELBOW (L)	TEE (T)	PIPE SIZE	OUTPUT Ø	Valve	CODE
OVATION	BDS3514	1	-	✓	2"	1 1/2"	OPW	19BSD35141T631120
	BDS3514	1	-	✓	2"	1 1/2"	EMCO	19BSD35141T63112E
	BDS3514	2	-	✓	2"	1 1/2"	OPW	19BSD35142T631120
	BDS3514	2	-	✓	2"	1 1/2"	EMCO	19BSD35142T63112E
	BDS3514	3	-	✓	2"	1 1/2"	OPW	19BSD35143T631120
	BDS3514	3	-	✓	2"	1 1/2"	EMCO	19BSD35143T63112E
	BDS3514	4	-	✓	2"	1 1/2"	OPW	19BSD35144T631120
	BDS3514	4	-	✓	2"	1 1/2"	EMCO	19BSD35144T63112E
ENCORE	BDS3617	1	-	✓	2"	1 1/2"	OPW	19BSD36171T631120
	BDS3617	1	-	✓	2"	1 1/2"	EMCO	19BSD36171T63112E
	BDS3617	2	-	✓	2"	1 1/2"	OPW	19BSD36172T631120
	BDS3617	2	-	✓	2"	1 1/2"	EMCO	19BSD36172T63112E
	BDS3617	3	-	✓	2"	1 1/2"	OPW	19BSD36173T631120
	BDS3617	3	-	✓	2"	1 1/2"	EMCO	19BSD36173T63112E
	BDS3617	4	-	✓	2"	1 1/2"	OPW	19BSD36174T631120
	BDS3617	4	-	✓	2"	1 1/2"	EMCO	19BSD36174T63112E

LEGEND:

PRE ASSEMBLE	SUMP	PRODUCT	PIPE SIZE	OUTPUT	VALVE
19BSD	3514 3617	1L (1 elbow) - OT (tee) 2L (2 elbow) - OT (tee) 3L (3 elbow) - OT (tee) 4L (4 elbow) - OT (tee)	63 (2")	112 (1 1/2")	O (OPW) E (EMCO)

LISTINGS: UL 971; UL 2447; ICC-ES; UPC

STANDARDS: UL 971; UL 2447; ASTM F1290; ASTM D3350



**PRE-ASSEMBLY
FIBERGLASS STP
SUMP OPTIONS**

SIZE: 42" - 48"

TANK SUMP MATERIAL: FRP Sumps



	SUMP	SINGLE WALL (S)	DOUBLE WALL (D)	HEIGHT (H)	DIAMETER (D)	SNAP-LOCK LID	MATERIAL	DESCRIPTION	CODE
CLOSED BOTTOM	TCB	✓	-	42"	42"	32"	FRP	two-piece sump; KITS REQ'D	19TCBS42H42D32FRP
	TCB	✓	-	48"	42"	32"	FRP	two-piece sump; KITS REQ'D	19TCBS48H42D32FRP
	TCB	✓	-	42"	42"	36"	FRP	two-piece sump; KITS REQ'D	19TCBS42H42D36FRP
	TCB	✓	-	48"	42"	36"	FRP	two-piece sump; KITS REQ'D	19TCBS48H42D36FRP
	TCB	✓	-	42"	48"	32"	FRP	two-piece sump; KITS REQ'D	19TCBS42H48D32FRP
	TCB	✓	-	48"	48"	32"	FRP	two-piece sump; KITS REQ'D	19TCBS48H48D32FRP
	TCB	✓	-	42"	48"	36"	FRP	two-piece sump; KITS REQ'D	19TCBS42H48D36FRP
	TCB	✓	-	48"	48"	36"	FRP	two-piece sump; KITS REQ'D	19TCBS48H48D36FRP
COLLAR MOUNT	TCM	✓	-	48"	42"	36"	FRP	two-piece sump; KITS REQ'D	19TCMS48H42D36FRP
	TCM	✓	-	48"	48"	36"	FRP	two-piece sump; KITS REQ'D	19TCMS48H48D36FRP
	TCM	-	✓	60"	42"	36"	FRP	two-piece sump; KITS REQ'D	19TCMD60H42D36FRP
	TCM	-	✓	60"	48"	36"	FRP	two-piece sump; KITS REQ'D	19TCMD60H48D36FRP

KIT ON REQUEST:

1 gallon epoxy slurry kit; join top hat to base on SW; 1/two-piece sump NON RETURNABLE	19FRPSLUKIT
4 " NPT fiberglass tank bung fitting with SS machined threads, 1 EP-100RF included	19FRPRISE4NPT
HD compression clamp for B-TBF-4; 1 per fitting	19FRPCLAMP
FRP & paint rollers and mixing bucket; fiberglass lam, tool	19FRPLAMTOOLKIT
Fiberglass laminating kit	19FRPLAMKIT

LEGEND:

PRE ASSEMBLE	TYPE	WALL	HEIGHT	DIAMETER	SNAP-LOCK LID	MATERIAL
19TC	B (Closed Botton)	S (Single Wall)	42H	42D	32	FRP
19TC	M (Collar Mount)	D (Double Wall)	48H	48D	36	
			60H			



Nupi Americas, Inc.

314 Commerce Parkway
Early Branch - SC 29916 - U.S.A.
ph. +1 803-398-3579
fax: +1 803 398 3639

info@nupiamericas.com
www.nupiamericas.com

