



**SMARTFLEX™**

# PRODUCT CATALOG 2024 APRIL

---

**PRE ASSEMBLY** Sump Options



**PRODUCT CATALOG:** SMARTFLEX PRE ASSEMBLY 2024

**REVISION:** 00\_OCTOBER

**PRINT DATE:** 2024 April 1st

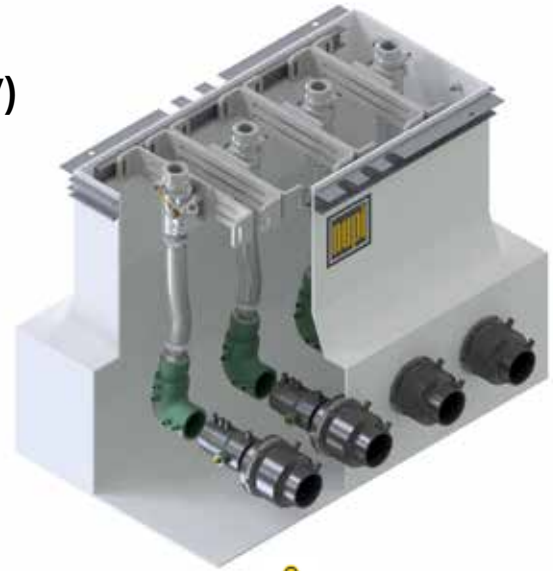
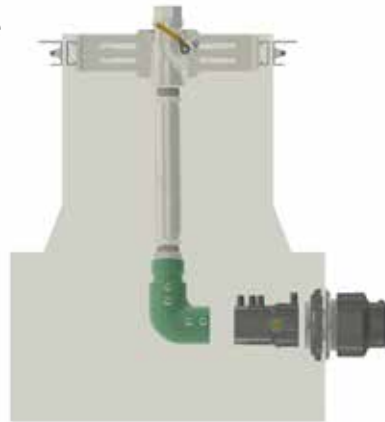
LIS MOD18



**PRE ASSEMBLY SUMP OPTIONS**

## DW PIPE SIZE: 2" PRIMARY - 2 1/2" SECONDARY (63MM PRIMARY / 75MM SECONDARY)

DISPENSER MATERIAL: HDPE Sumps  
Galvanized Hardware



Nupi Logo identifies A side

	SUMP	PRODUCTS	ELBOW (L)	FLEX (AM)	RISER (RM)	PRIMARY PIPE SIZE	OUTPUT Ø	Valve	CODE
ENCORE	DDS3617	3	✓	✓	-	2"	1 1/2"	OPW	<b>19PS36173LAM631120</b>
	DDS3617	3	✓	✓	-	2"	1 1/2"	EMCO	<b>19PS36173LAM63112E</b>
	DDS3617	3	✓	-	✓	2"	1 1/2"	OPW	<b>19PS36173LRM631120</b>
	DDS3617	3	✓	-	✓	2"	1 1/2"	EMCO	<b>19PS36173LRM63112E</b>
	DDS3617	4	✓	✓	-	2"	1 1/2"	OPW	<b>19PS36174LAM631120</b>
	DDS3617	4	✓	✓	-	2"	1 1/2"	EMCO	<b>19PS36174LAM63112E</b>
	DDS3617	4	✓	-	✓	2"	1 1/2"	OPW	<b>19PS36174LRM631120</b>
	DDS3617	4	✓	-	✓	2"	1 1/2"	EMCO	<b>19PS36174LRM63112E</b>
OVATION	DDS4215	3	✓	✓	-	2"	1 1/2"	OPW	<b>19PS42153LAM631120</b>
	DDS4215	3	✓	✓	-	2"	1 1/2"	EMCO	<b>19PS42153LAM63112E</b>
	DDS4215	3	✓	-	✓	2"	1 1/2"	OPW	<b>19PS42153LRM631120</b>
	DDS4215	3	✓	-	✓	2"	1 1/2"	EMCO	<b>19PS42153LRM63112E</b>
	DDS4215	4	✓	✓	-	2"	1 1/2"	OPW	<b>19PS42154LAM631120</b>
	DDS4215	4	✓	✓	-	2"	1 1/2"	EMCO	<b>19PS42154LAM63112E</b>
	DDS4215	4	✓	-	✓	2"	1 1/2"	OPW	<b>19PS42154LRM631120</b>
	DDS4215	4	✓	-	✓	2"	1 1/2"	EMCO	<b>19PS42154LRM63112E</b>

### LEGEND:

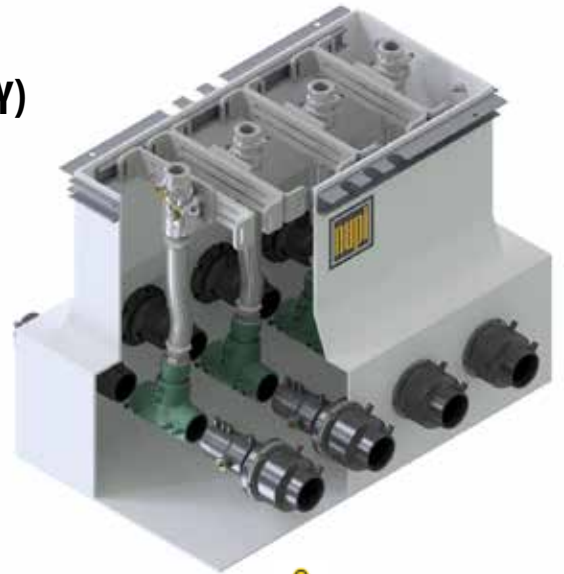
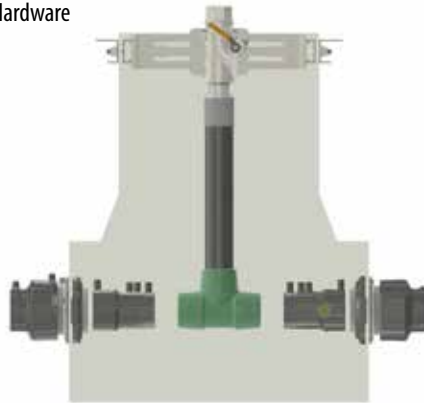
PRE ASSEMBLE	SUMP	PRODUCT	CONNECTOR TYPE	PRIMARY PIPE SIZE	OUTPUT	VALVE
<b>19PS</b>	3617 4215	3L (3 elbow) 4L (4 elbow)	AM (flex) RM (riser)	63 (2")	112 (1 1/2")	O (OPW) E (EMCO)

**LISTINGS:** UL 971; UL 2447; ICC-ES; UPC

**STANDARDS:** UL 971; UL 2447; ASTM F1290; ASTM D3350

## DW PIPE SIZE: 2" PRIMARY - 2 1/2" SECONDARY (63MM PRIMARY / 75MM SECONDARY)

DISPENSER MATERIAL: HDPE Sumps  
Galvanized Hardware



Nupi Logo identifies A side

	SUMP	PRODUCTS	TEE (T)	FLEX (AM)	RISER (RM)	PRIMARY PIPE SIZE	OUTPUT Ø	Valve	CODE
<b>ENCORE</b>	DDS3617	3	✓	✓	-	2"	1 1/2"	OPW	<b>19PS36173TAM631120</b>
	DDS3617	3	✓	✓	-	2"	1 1/2"	EMCO	<b>19PS36173TAM63112E</b>
	DDS3617	3	✓	-	✓	2"	1 1/2"	OPW	<b>19PS36173TRM631120</b>
	DDS3617	3	✓	-	✓	2"	1 1/2"	EMCO	<b>19PS36173TRM63112E</b>
	DDS3617	4	✓	✓	-	2"	1 1/2"	OPW	<b>19PS36174TAM631120</b>
	DDS3617	4	✓	✓	-	2"	1 1/2"	EMCO	<b>19PS36174TAM63112E</b>
	DDS3617	4	✓	-	✓	2"	1 1/2"	OPW	<b>19PS36174TRM631120</b>
	DDS3617	4	✓	-	✓	2"	1 1/2"	EMCO	<b>19PS36174TRM63112E</b>
<b>OVATION</b>	DDS4215	3	✓	✓	-	2"	1 1/2"	OPW	<b>19PS42153TAM631120</b>
	DDS4215	3	✓	✓	-	2"	1 1/2"	EMCO	<b>19PS42153TAM63112E</b>
	DDS4215	3	✓	-	✓	2"	1 1/2"	OPW	<b>19PS42153TRM631120</b>
	DDS4215	3	✓	-	✓	2"	1 1/2"	EMCO	<b>19PS42153TRM63112E</b>
	DDS4215	4	✓	✓	-	2"	1 1/2"	OPW	<b>19PS42154TAM631120</b>
	DDS4215	4	✓	✓	-	2"	1 1/2"	EMCO	<b>19PS42154TAM63112E</b>
	DDS4215	4	✓	-	✓	2"	1 1/2"	OPW	<b>19PS42154TRM631120</b>
	DDS4215	4	✓	-	✓	2"	1 1/2"	EMCO	<b>19PS42154TRM63112E</b>

### LEGEND:

PRE ASSEMBLE	SUMP	PRODUCT	CONNECTOR TYPE	PRIMARY PIPE SIZE	OUTPUT	VALVE
<b>19PS</b>	3617 4215	3L (3 tee) 4L (4 tee)	AM (flex) RM (riser)	63 (2")	112 (1 1/2")	O (OPW) E (EMCO)

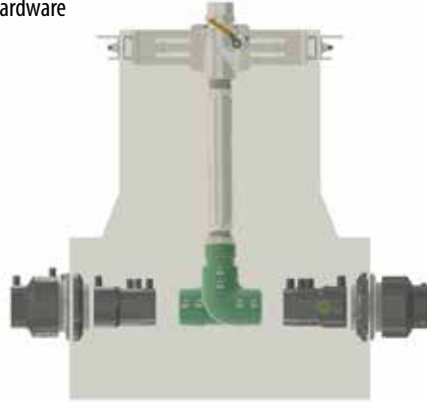
**LISTINGS:** UL 971; UL 2447; ICC-ES; UPC

**STANDARDS:** UL 971; UL 2447; ASTM F1290; ASTM D3350



## DW PIPE SIZE: 2" PRIMARY - 2 1/2" SECONDARY (63MM PRIMARY / 75MM SECONDARY)

DISPENSER MATERIAL: HDPE Sumps  
Galvanized Hardware



Nupi Logo identifies A side

	SUMP	PRODUCTS	TEE (T)	ELBOW (L)	FLEX (AM)	RISER (RM)	PRIMARY PIPE SIZE	OUTPUT Ø	Valve	CODE
<b>ENCORE</b>	DDS3617	4	3	1	✓	-	2"	1 1/2"	OPW	<b>19PS36173T1LAM631120</b>
	DDS3617	4	3	1	✓	-	2"	1 1/2"	EMCO	<b>19PS36173T1LAM63112E</b>
	DDS3617	4	3	1	-	✓	2"	1 1/2"	OPW	<b>19PS36173T1LRM631120</b>
	DDS3617	4	3	1	-	✓	2"	1 1/2"	EMCO	<b>19PS36173T1LRM63112E</b>
<b>OVATION</b>	DDS4215	4	3	1	✓	-	2"	1 1/2"	OPW	<b>19PS42153T1LAM631120</b>
	DDS4215	4	3	1	✓	-	2"	1 1/2"	EMCO	<b>19PS42153T1LAM63112E</b>
	DDS4215	4	3	1	-	✓	2"	1 1/2"	OPW	<b>19PS42153T1LRM631120</b>
	DDS4215	4	3	1	-	✓	2"	1 1/2"	EMCO	<b>19PS42153T1LRM63112E</b>

### LEGEND:

PRE ASSEMBLE	SUMP	PRODUCT	CONNECTOR TYPE	PRIMARY PIPE SIZE	OUTPUT	VALVE
<b>19PS</b>	3617 4215	3T (3 tee) 1L (1 elbow)	AM (flex) RM (riser)	63 (2")	112 (1 1/2")	O (OPW) E (EMCO)

**LISTINGS:** UL 971; UL 2447; ICC-ES; UPC

**STANDARDS:** UL 971; UL 2447; ASTM F1290; ASTM D3350





## **Nupi Americas, Inc.**

314 Commerce Parkway  
Early Branch - SC 29916 - U.S.A.  
ph. +1 803-398-3579  
fax: +1 803 398 3639

[info@nupiamericas.com](mailto:info@nupiamericas.com)  
[www.nupiamericas.com](http://www.nupiamericas.com)

